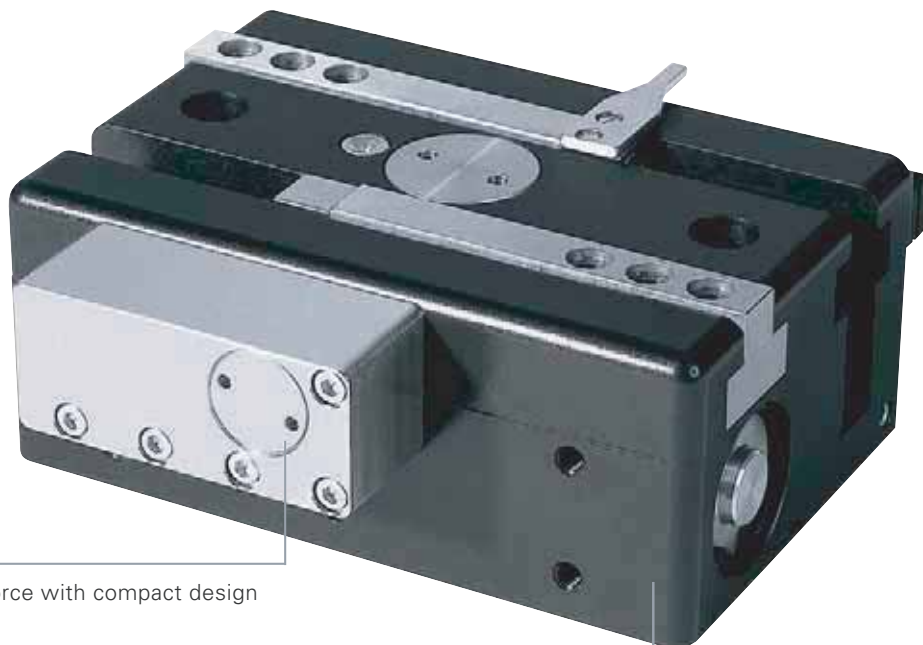


Sealed Long Stroke Gripper

with Clamping Element

➤ Features

- Workpiece safety* under drop in pressure via clamping element
- Dimensions based on standard GH6000-B series gripper
- Long stroke, up to 200 mm per jaw
- Stable T groove guide, completely guided over the entire length of the housing
- For gripping jaw with a length of up to 600 mm
- Compact design, because cylinders and guides are arranged side by side



Clamping element

- highest retention force with compact design

Standard gripper

- except for side screw-on option, all dimensions match the standard gripper

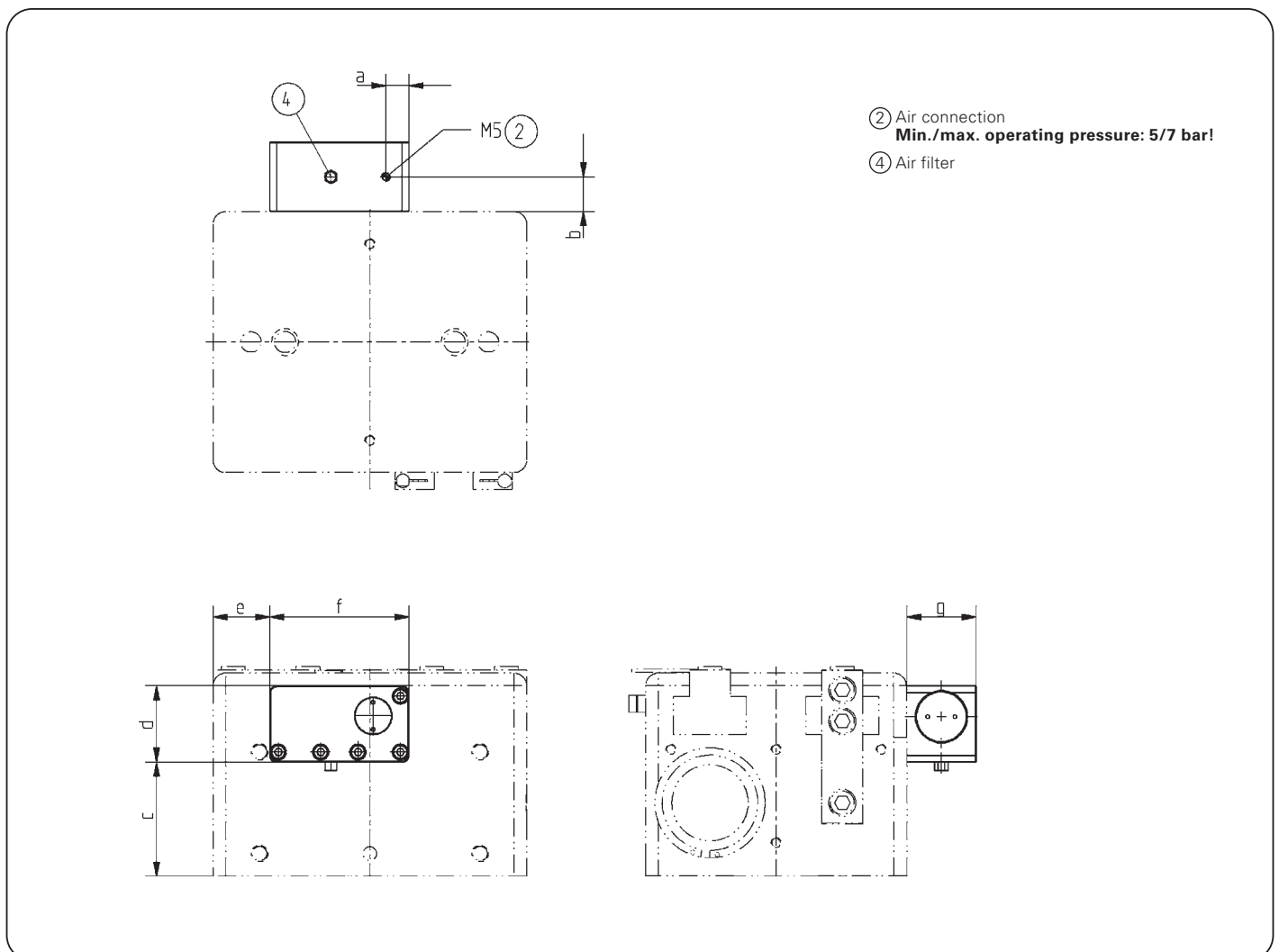
* positive locking gripping jaw design required

Order no.:	GHK6140	GHK6160	GHK6180
Dimension A [mm]:	9.6	9.6	9.6
Dimension B [mm]:	10.5	10.5	10.5
Dimension C [mm]:	21.7	21.7	21.7
Dimension D [mm]:	25	25	25
Dimension E [mm]:	17.5	37.5	57.5
Dimension F [mm]:	58	58	58
Dimension G [mm]:	22	22	22

Order no.:	GHK6240	GHK6260	GHK6280	GHK62100	GHK62150
Dimension A [mm]:	15	15	15	15	15
Dimension B [mm]:	14	14	14	14	14
Dimension C [mm]:	39.5	39.5	39.5	39.5	39.5
Dimension D [mm]:	35	35	35	35	35
Dimension E [mm]:	20	40	60	80	130
Dimension F [mm]:	66	66	66	66	66
Dimension G [mm]:	27	27	27	27	27

Order no.:	GHK6460	GHK64100	GHK64150	GHK64200
Dimension A [mm]:	13.5	13.5	13.5	13.5
Dimension B [mm]:	20.5	20.5	20.5	20.5
Dimension C [mm]:	67.4	67.4	67.4	67.4
Dimension D [mm]:	45	45	45	45
Dimension E [mm]:	33.5	73.5	123.5	173.5
Dimension F [mm]:	82	82	82	82
Dimension G [mm]:	41	41	41	41

For unlisted dimensions, see standard gripper



Subject to change without prior notice