

Accessories 1	Accessories 2	Accessories 3	Accessories 4	Accessories 5	Accessories 6
Rotary manifolds	Gripper jaw extension	Ball joint			



Gripper jaw extension

- Sommer-automatic
- Grippers
- Separators
- Swivel units
- Rotating jaws
- Axial compensators
- Tool changers
- Linear cylinders
- Shock absorbers
- Rotary cylinders
- Air vane motors
- Vacuum components
- Accessories**
- Quick finder

Order no.:

GBV36	GBV50	GBV72		
-------	-------	-------	--	--



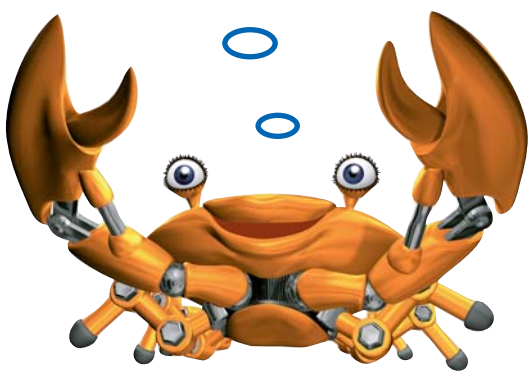
• For parallel and three jaw grippers

Out of a small gripper you get a big machine, if for example pallets with a weight of 10 kg must be grasped. Here's the solution - see picture:

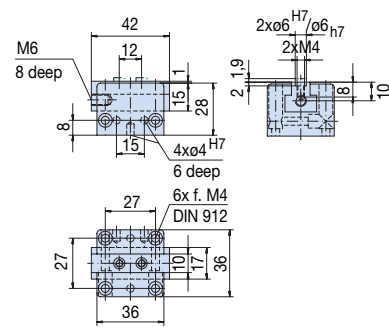
- 2 parallel grippers (GH6260)
- 4 gripper jaw extensions (GBV72)

These super-guide-elements are ideal for all cylinders, parallel or three jaw. The jaw extensions can be used with a wide variety of Sommer parallel and 3-jaw grippers. The GBV guide elements can be extended to any distance, and the jaw extensions may be loaded at different distances from the gripper. This means that the gripper does not have to be located at center. The gripper itself may be arranged anywhere to the left or right of center, but the part will still be gripped centrally.

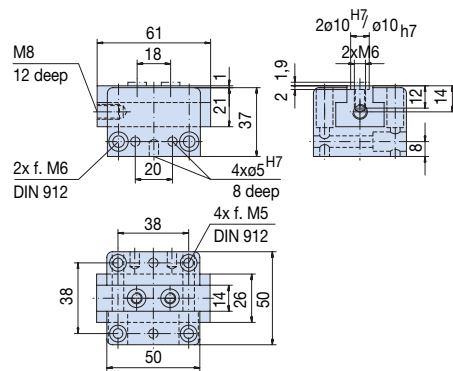
Small gripper becomes large!
 Grab 10 kg pallets
 with a small gripper?
 No problem with the gripper jaw
 extension. Ideal for all parallel
 and three-jaw grippers.



GBV36



GBV50



GBV72

