

Accessories 1	Accessories 2	Accessories 3	Accessories 4	Accessories 5	Accessories 6
Rubber jaw liners	Jaw pads	Epoxy jaw compound	Jaw cups	Rubber molding compound	Rubber coated tape
					Hard jaw inserts

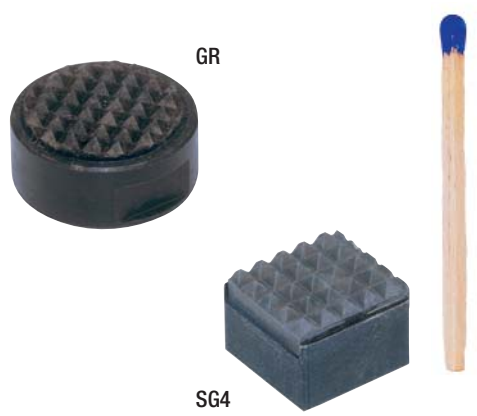


Hard jaw inserts

- Sommer-automatic
- Grippers
- Separators
- Swivel units
- Rotating jaws
- Axial compensators
- Tool changers
- Linear cylinders
- Shock absorbers
- Rotary cylinders
- Air vane motors
- Vacuum components
- Accessories**
- Quick finder

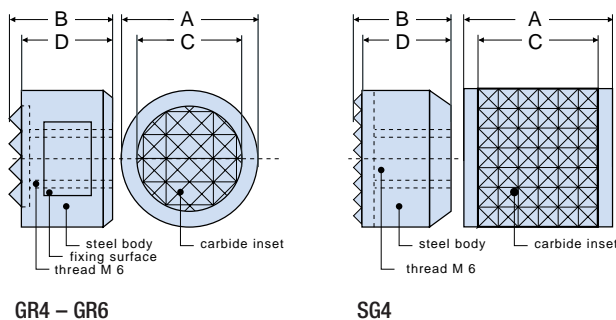
Hard jaw inserts, fixed

Order no.:						
GR4	GR4A	GR4C	GR5	GR6	SG4	
Dimension A [mm]:						
12,7	12,7	12,7	15,8	19	12,7	
Dimension B [mm]:						
9,5	12,7	16,5	9,5	9,5	9,5	
Dimension C [mm]:						
9,5	9,5	9,5	12,7	15,8	10,3x12,7	
Dimension D [mm]:						
8,7	11,9	15,8	8,7	8,7	8,7	



• With hardened metal pads

The gripper jaw pads are secured onto the jaws by means of screws. This facilitates quick fitting and easy replacement.



Hard jaw inserts, floating

Order no.:						
J712	J718	J728				
Dimension d ₁ [mm]:						
12n6	18n6	28n6				
Dimension d ₂ [mm]:						
M3	M4	M5				
Dimension d ₃ [mm]:						
7	10	20				
Dimension L ₁ [mm]:						
10	16	25				



• With hardened metal pads

The gripper jaw pads can be attached to the gripper jaws, ensuring that workpieces are gripped securely. The flexible, ribbed spherical surface conforms to irregularly shaped parts. We recommend two or three points of contact.

