

Vacuum cups			Adapter	Vacuum generator
VNR	SVG	VG	VIP	



Sommer-automatic
Grippers
Separators
Swivel units
Rotating jaws
Axial compensators
Tool changers
Linear cylinders
Shock absorbers
Rotary cylinders
Air vane motors
Vacuum components
Accessories
Quick finder

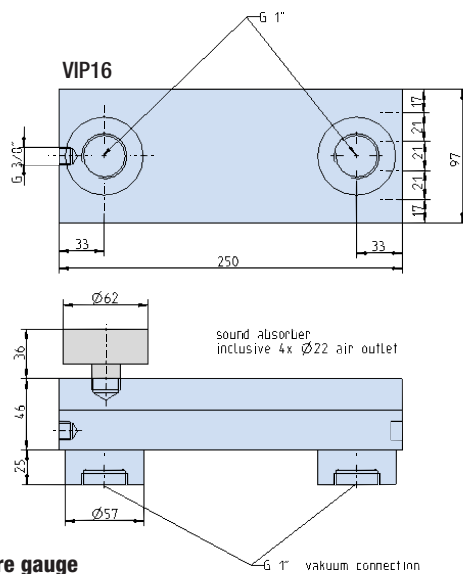
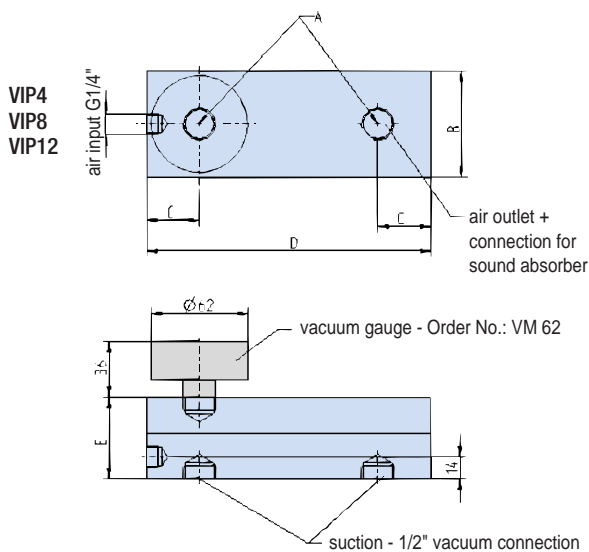


Vacuum generator

See below for optional pressure gauge

Order no.:					
VIP4	VIP8	VIP12	VIP16		
Vacuum output at 4 bar [%]:					
90	90	90	90		
Cycle air consumption per minute [l norm.]:					
95	190	380	250		
Vacuum volume [l norm./min.]:					
260	400	630	750		
Min./max. operating pressure [bar]:					
4/7	4/7	4/7	4/7		
Sound pressure level without load [dB]:					
65	65	65	65		
Sound pressure level under load [dB]:					
50	50	50	50		
Min./max. operating temperature [°C]:					
-20/+ 80	-20/+ 80	-20/+ 80	-20/+ 80		
Dimension A:					
G1/2"	G1/2"	G1/2"	G1"		
Dimension B [mm]:					
68	68	68	97		
Dimension C [mm]:					
30	34	29	100		
Dimension D [mm]:					
182	182	182	250		
Dimension E [mm]:					
34	34	52	52		
Weight [kg]:					
0,60	0,80	0,90	2,10		

All data measured at 4 bar.



Optional pressure gauge

Order no.: VM62
to match VIP4 to VIP16