

Vacuum cups		Adapter		Vacuum generator	
VNR	SVG	VG	VIP		

Vacuum generator

- ▶ integrated vacuum generator
- ▶ vacuum (bar) -0,8
- ▶ compressed air connection

Order no.:					
SVG1/8	SVG M5	VG1/8	VGM5		
Connection thread:					
1/8"	M5	1/8"	M5		
Thread:					
G1/4"	G1/8"	-	-		
Air volume per cycle [cm³]:					
2100	2100	-	-		

All data measured at bar.

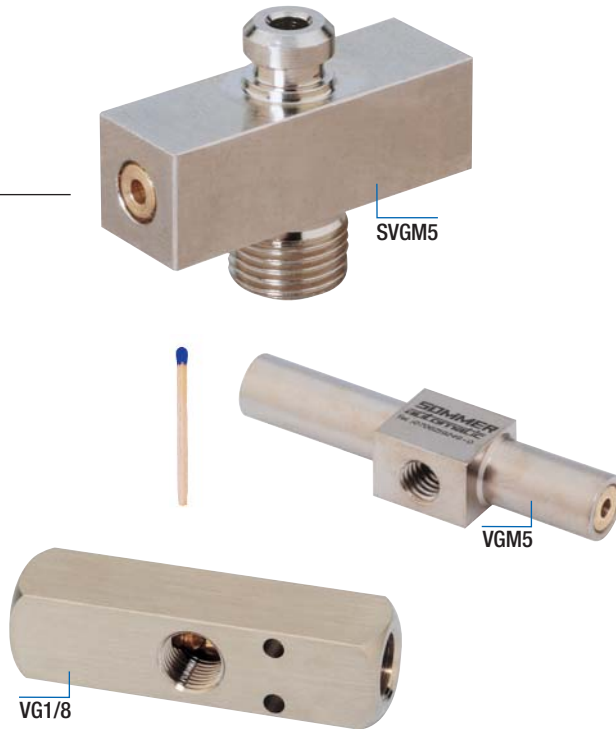
Anyone who has access to compressed air can now create a vacuum, eliminating the need for expensive vacuum pumps.

A super injector supplies surprising vacuum power. At 6 bar, only 21 liters per minute of compressed air are consumed, creating a negative pressure of 0.8 bar. This corresponds to 10 liters of vacuum power per minute. The housing is made of nickel-plated brass.

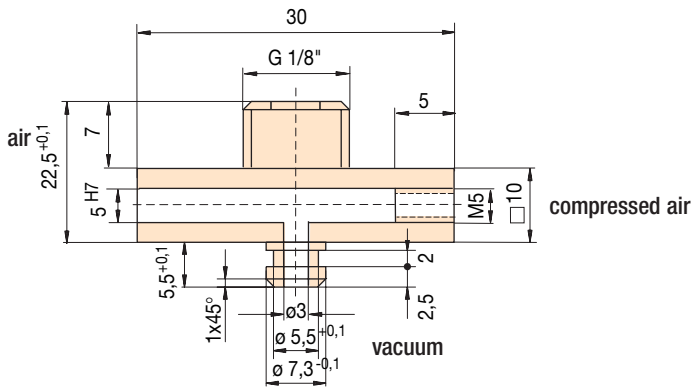
The minivacuum generator inserts directly into the air hose, and supplies the same vacuum power as the VG 1/8. The VG-M5 creates a vacuum from compressed air, while taking up minimal space. It can be suspended freely between hoses or may be attached to a hose with a clamp. The housing is made of nickel-plated brass. The unit consumes 13 liters per minute at 6 bar.



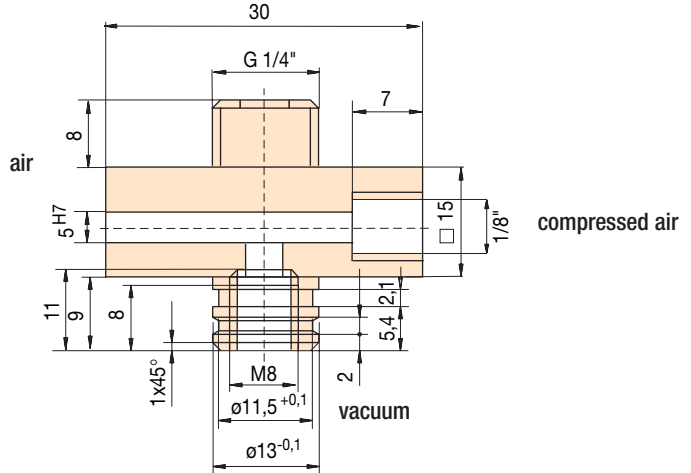
Sommer-automatic
Grippers
Separators
Swivel units
Rotating jaws
Axial compensators
Tool changers
Linear cylinders
Shock absorbers
Rotary cylinders
Air vane motors
Vacuum components
Accessories
Quick finder



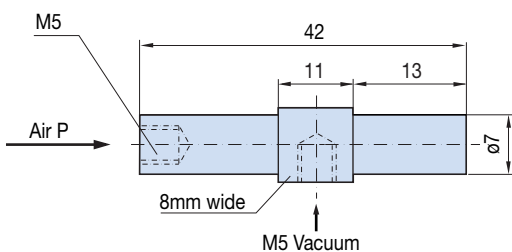
SVG M5



SVG 1/8



VGM5



VG 1/8

