

Vacuum cups			Adapter			Vacuum generator						
SM	SG	NS	PNS	KNS	SFK	SF	SR	SK	OV	POV	KOV	SFO



Knobbed vacuum cups

Remember!
Vacuum cup and support adapter are ordered as separate part numbers.
All possible combinations clearly displayed on page 400.

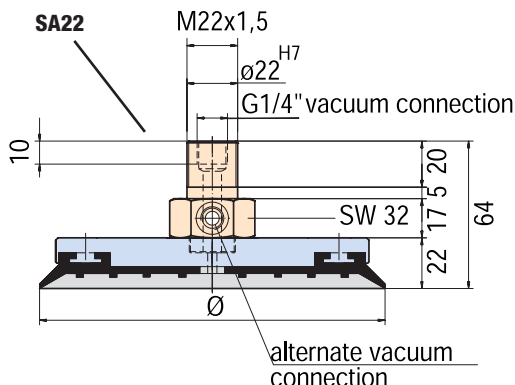
Order no.:					
PNS 100A	PNS 125A	PNS 150A	KNS 100A	KNS 125A	KNS 150A
Vacuum force i[N]:					
471	735	1055	471	735	1055
Dimension ø [mm]:					
100	125	150	100	125	150

All data measured at 0.6 bar vacuum.

See Page 399 for Accessory list.

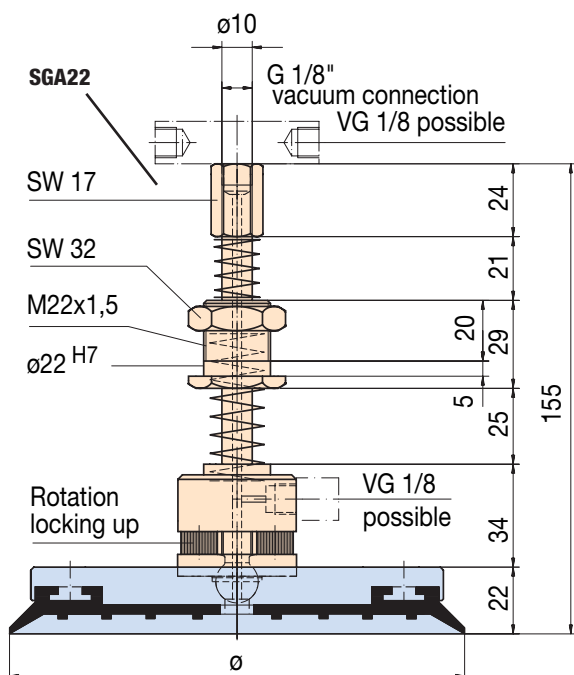


Sommer-automatic
Grippers
Separators
Swivel units
Rotating jaws
Axial compensators
Tool changers
Linear cylinders
Shock absorbers
Rotary cylinders
Air vane motors
Vacuum components
Accessories
Quick finder



When handling large parts, large stable vacuum cups are necessary. There are two versions available: a) with an external thread for connecting to vacuum pumps; or b) with an external thread and a built-in vacuum generator. There are separate part numbers for the fittings (SA22 or SAV22) and the suction pad with aluminum backing plate (PNS...A)

Note: The knobbed vacuum cups is also available without the aluminum plate. Just leave out the "P"



• **with ball joint (+15°) and locking plate**

The Spring Loaded Knobbed Vacuum Cups (with ball joint) are characterized by their locking system. The upper spring ensures that there is no recoil when lifting the part. The return spring can extend 25 mm (a 50 mm version is currently being developed) and is secured against rotation. Consequently, parts can be picked up and placed accurately. A maximum compensation angle of +15° is provided by the ball joint.

Note: The rubberized vacuum cups can be ordered separately and easily replaced. This can save time and expense during assembly and disassembly. Just leave out the "K".

Spring Loaded Adapter sold separately, see pg 419.

Version	Material	Color	Heat-resistant	Durometer	Extra charge	Add to part # when ordering
Standard	neoprene	black	-30° - 120° C Oil tolerant	65 ±3	no	-
Heat-resistant	silicone	blue	200° C	60 ±5	no	SI
Food-handling	silicone tempered	white	200° C	60 ±5	yes	L