

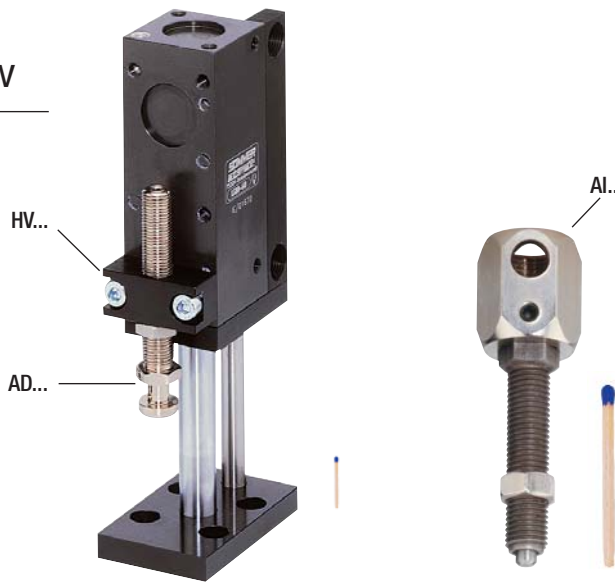
Pneumatic cylinders		<b>Linear cylinder</b>			Lifting cylinder		Linear rail slide			
LI16-20 LI16-35	LI30-15 to LI30-90	LI40-40 LI40-90	LI16-50D	LI30-60D LI30-90D	LI40-90S to LI40-300S	LI50-50S to LI50-300S	<b>Flange</b>	<b>Shock absorbers</b>	Adapter plate	



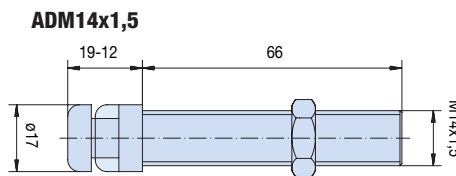
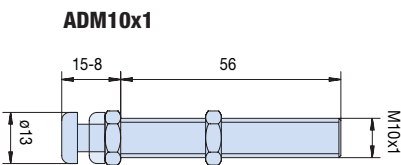
# Shock absorbers, flange, stop-stroke adjusting screw

## Shock absorbers

Order no.:	
AD-M10x1	AD-M14x1,5
Stroke [mm]:	
7	7
Cycles per minute, max. [1/min]:	
50	50
Impact speed [m/s]:	
1,5	1,5
Resetting force:	
65	150



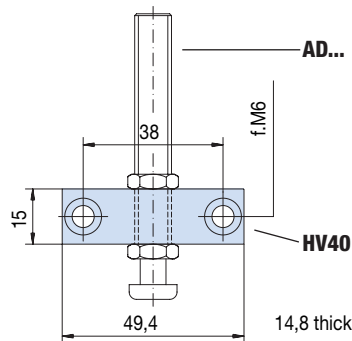
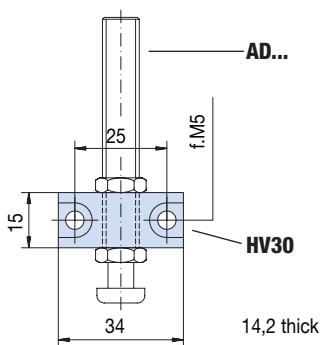
Sommer-automatic
Grippers
Separators
Swivel units
Rotating jaws
Axial compensators
Tool changers
<b>Linear cylinders</b>
Shock absorbers
Rotary cylinders
Air vane motors
Vacuum components
Accessories
Quick finder



## Flange for shock absorbers

Order no.:		
HV 30	HV 40	HV 40G
To match:		
LI30...	LI40...	LI40...
To match:		
ADM10x1	ADM10x1	ADM14x1,5

Shock absorbers, Flange and Stop-Stroke adjusting screw for Linear cylinders.



## Stop-Stroke adjusting screw

Order no.:	
AI-M8x1-53	
To match:	
LI...S	

