

Axial compensation modules

Crash protectors

Alignment compensator

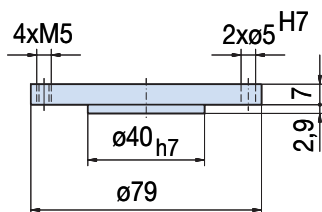
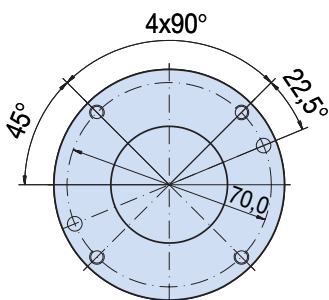
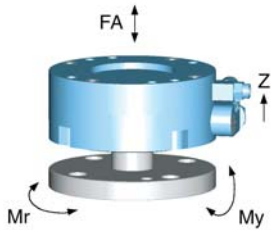
CS80

CS100

CS160



- Sommer-automatic
- Grippers
- Separators
- Swivel units
- Rotating jaws
- Axial compensators**
- Tool changers
- Linear cylinders
- Shock absorbers
- Rotary cylinders
- Air vane motors
- Vacuum components
- Accessories
- Quick finder



Crash protector

Advantages, benefits, comparisons and tips! Stacks of information all about this product are on page 291.

Order no.:			
CS 80	CS 100	CS 160	
Drive:			
pneum.	pneum.	pneum.	
Handling weight (recommended) max. [kg]*:			
6	12	60	
Z alignment [mm]:			
12,5	10,5	18	
Repeatability axial ± [mm]:			
0,05	0,05	0,05	
Horizontal alignment [°]:			
12,5	12,5	9	
Repeatability radial ± [°]:			
0,05	0,05	0,05	
Load FA [N]:			
460	830	5300	
Load Mr [Nm]:			
20,0	29,5	300	
Load My [Nm]:			
8,5	20,0	300	
Min./max. operating pressure [bar]:			
0,5/6	0,5/6	0,5/6	
Min./max. operating temperature [°C]:			
5/80	5/80	5/80	
Weight [kg]:			
0,4	0,8	2,8	

All data measured at 6 bar.

* with centric addition

See Page 291 for Accessory list.

Adapter plate

Order no.: CS-P80
Fits CS80

Order no.: CS-P100
Fits CS100

Order no.: CS-P160
Fits CS160

Drawing for CS-P100 and CS-P160 are available by request

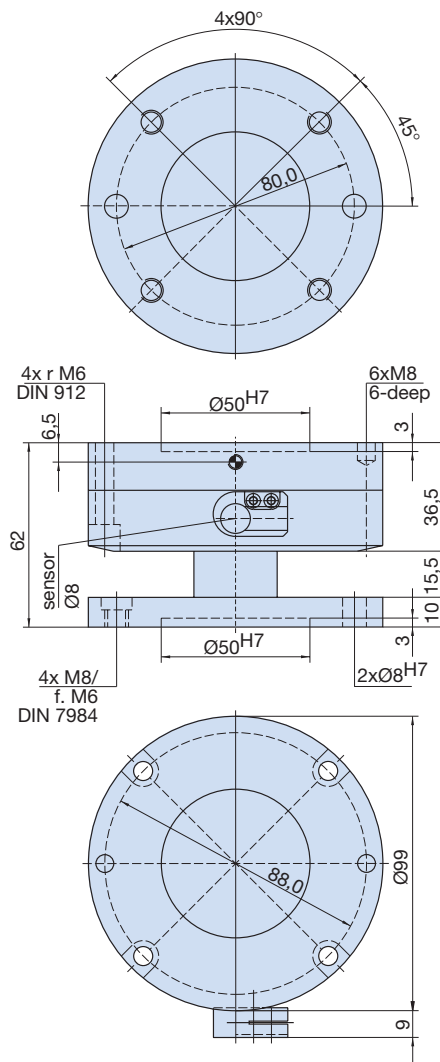
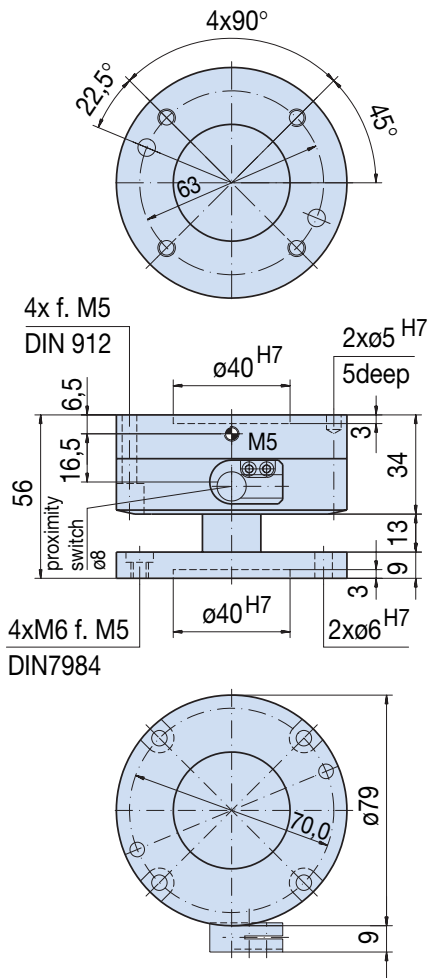
Drawing

CS80 and CS100

Advantages, benefits, comparisons and tips!
Stacks of information all about this product are on page 291.

- Sommer-automatic
- Grippers
- Separators
- Swivel units
- Rotating jaws
- Axial compensators**
- Tool changers
- Linear cylinders
- Shock absorbers
- Rotary cylinders
- Air vane motors
- Vacuum components
- Accessories
- Quick finder

CS80



CS100



Sommer-automatic

Grippers

Separators

Swivel units

Rotating jaws

Axial compensators

Tool changers

Linear cylinders

Shock absorbers

Rotary cylinders

Air vane motors

Vacuum components

Accessories

Quick finder

Drawing

CS160

Advantages, benefits, comparisons and tips!
Stacks of information all about this product are
on page 291.

