

**Axial compensation modules**

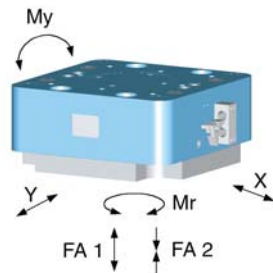
Crash protectors

Alignment compensators

- XY70
- XY100
- XY160
- XY220
- XY320
- XYZ70
- XYZ100
- XYZ160
- XYZ220



- Sommer-automatic
- Grippers
- Separators
- Swivel units
- Rotating jaws
- Axial compensators**
- Tool changers
- Linear cylinders
- Shock absorbers
- Rotary cylinders
- Air vane motors
- Vacuum components
- Accessories
- Quick finder



## Axial compensation modules XY

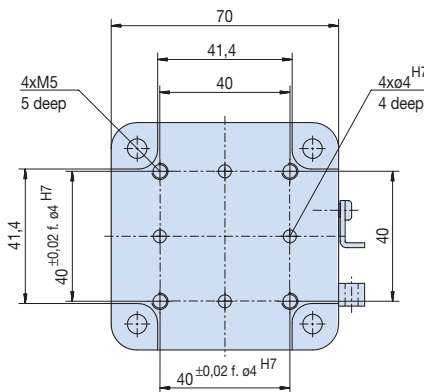
Advantages, benefits, comparisons and tips! Stacks of information all about this product are on page 281.

Order no.:					
XY 70	XY 100	XY 160	XY 220	XY 320	
<b>Stroke X/Y ± [mm]:</b>					
3	5	8	10	15	
<b>Centering force in XY-direction max. [N]:</b>					
70	250	750	1200	4000	
<b>Handling weight (recommended) [kg]:*</b>					
6	12	30	150	400	
<b>Tensile loading FA1 max. [N]:</b>					
600	900	1500	2500	10	
<b>Load FA2 max. [N]:</b>					
1200	1800	3000	5000	20	
<b>Load Mr max. [Nm]:</b>					
9	11	20	30	500	
<b>Load My max. [Nm]:</b>					
2,5	4,5	12	30	500	
<b>Repeatability ± [mm]:</b>					
0,05	0,05	0,05	0,05	0,05	
<b>Min./max. operating pressure [bar]:</b>					
4 / 8	4 / 8	4 / 8	4 / 8	4 / 8	
<b>Min./max. operating temperature [°C]:</b>					
5 / 80	5 / 80	5 / 80	5 / 80	5 / 80	
<b>Weight [kg]:</b>					
0,5	1,3	4,5	14,7	39	

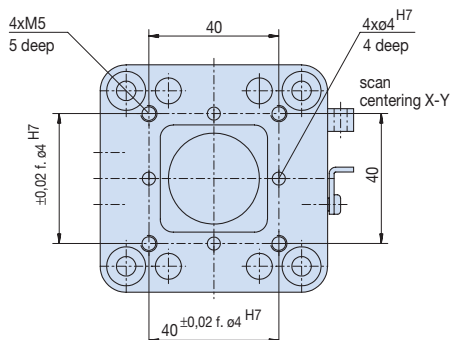
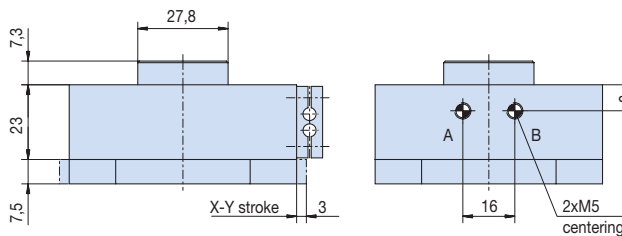
All data measured at 6 bar.

\* with centric addition

See Page 281 for Accessory list.



XY70



**Axial compensation modules**

Crash protectors

Alignment compensators

XY70

XY100

XY160

XY220

XY320

XYZ70

XYZ100

XYZ160

XYZ220



# Drawing

## XY100

Advantages, benefits, comparisons and tips!  
Stacks of information all about this product are on page 281.

Sommer-automatic

Grippers

Separators

Swivel units

Rotating jaws

**Axial compensators**

Tool changers

Linear cylinders

Shock absorbers

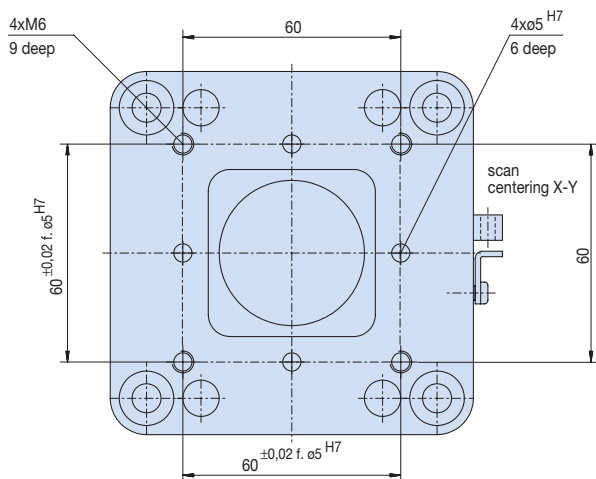
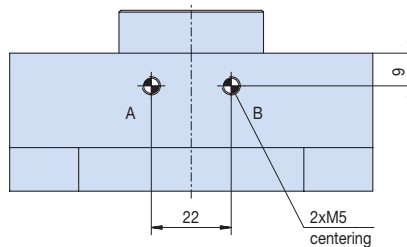
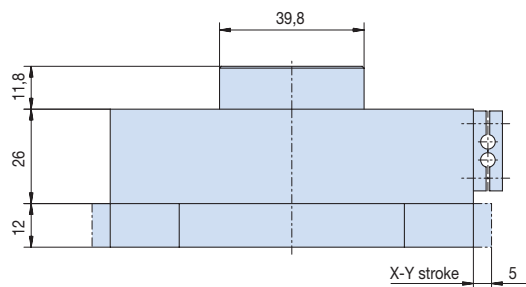
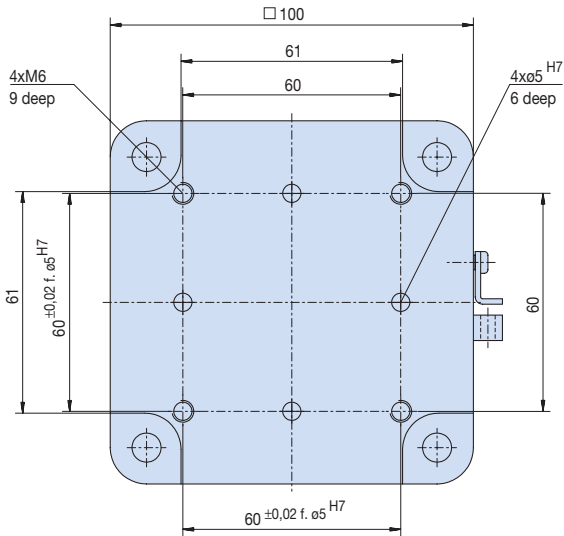
Rotary cylinders

Air vane motors

Vacuum components

Accessories

Quick finder



**Axial compensation modules**

Crash protectors

Alignment compensators

XY70	XY100	XY160	XY220	XY320	XYZ70	XYZ100	XYZ160	XYZ220
------	-------	-------	-------	-------	-------	--------	--------	--------



Sommer-automatic

Grippers

Separators

Swivel units

Rotating jaws

**Axial compensators**

Tool changers

Linear cylinders

Shock absorbers

Rotary cylinders

Air vane motors

Vacuum components

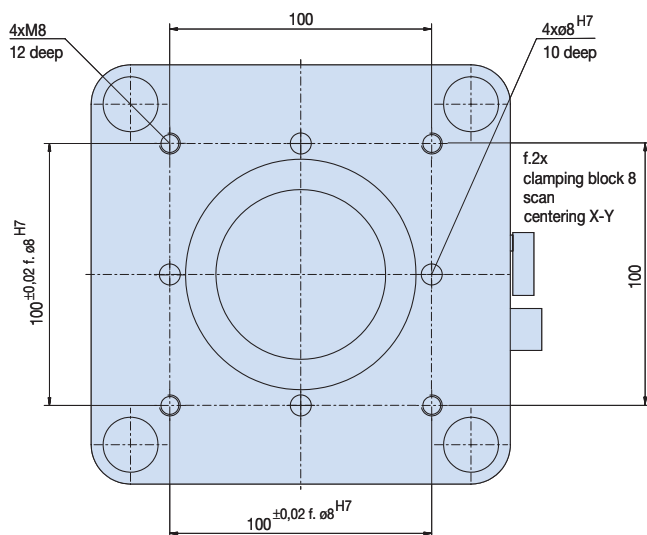
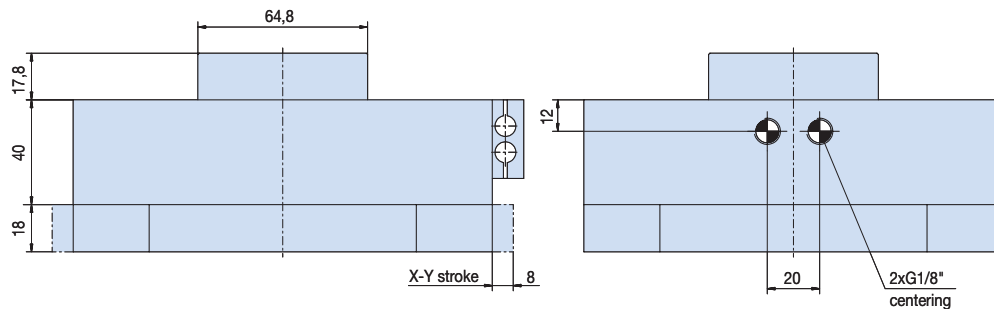
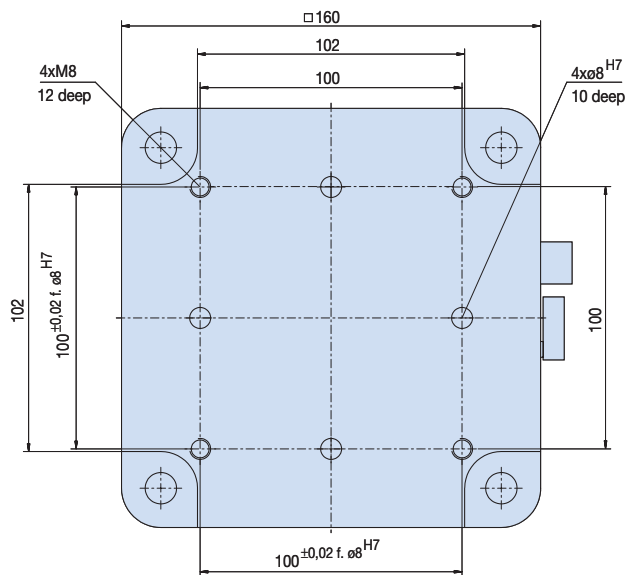
Accessories

Quick finder

# Drawing

XY160

Advantages, benefits, comparisons and tips!  
Stacks of information all about this product are on page 281.



**Axial compensation modules**

Crash protectors

Alignment compensators

XY70

XY100

XY160

XY220

XY320

XYZ70

XYZ100

XYZ160

XYZ220



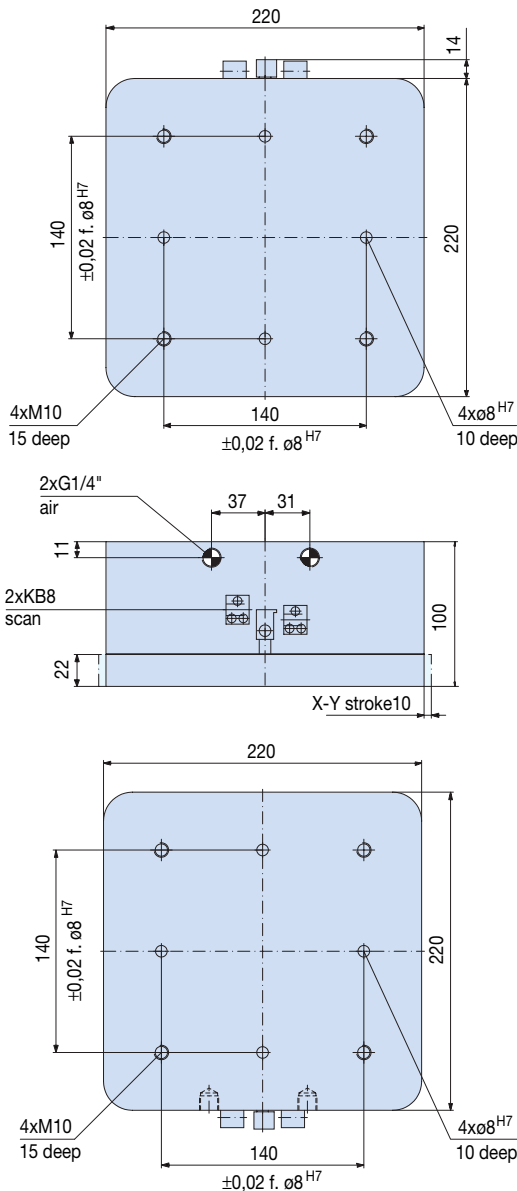
# Drawing

XY220 / XY320

Advantages, benefits, comparisons and tips!  
Stacks of information all about this product are on page 281.

- Sommer-automatic
- Grippers
- Separators
- Swivel units
- Rotating jaws
- Axial compensators**
- Tool changers
- Linear cylinders
- Shock absorbers
- Rotary cylinders
- Air vane motors
- Vacuum components
- Accessories
- Quick finder

## XY220



## XY320

