

Rotating jaws

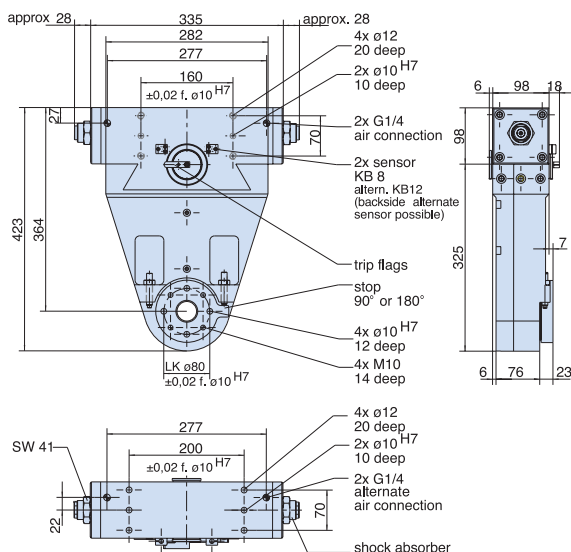
- SB32
- SB40
- SB54
- SB50
- SB74
- SB100
- SB150
- SB190**



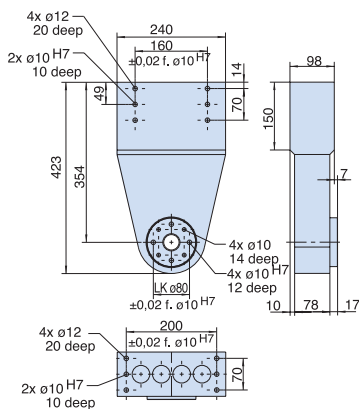
- Sommer-automatic
- Grippers
- Separators
- Swivel units
- Rotating jaws**
- Axial compensators
- Tool changers
- Linear cylinders
- Shock absorbers
- Rotary cylinders
- Air vane motors
- Vacuum components
- Accessories
- Quick finder



SB190
SB190G
follower
(nonpowered)



SB190G

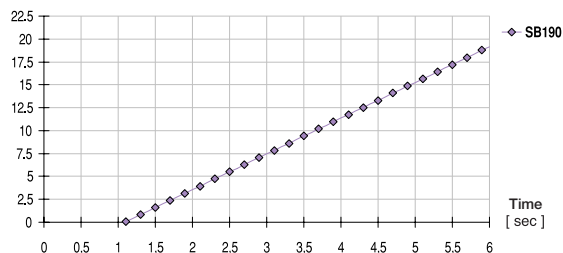


Rotating jaw

Advantages, benefits, comparisons and tips!
Stacks of information all about this product are on page 271.

(sold individually)

Moment of inertia
[kg m²]



Order no. (rotation angle 90°):					
SB190-90	SB190-90H	SB190-G			
Order no. (rotation angle 180°):					
SB190-180	SB190-180H	-			
Drive:					
pneum.	hydr.	-			
Torque [Nm]:					
57	190	-			
Rotation angle adjustable to 90° and 180° ± [°]:					
3	3	-			
Repeatability ± [°]:					
0,01	0,01	-			
Radial bearing load [Nm]:					
35000	35000	35000			
Axial bearing load [N]:					
25000	25000	25000			
Min./max. operating pressure [bar]:					
3/8	10/25	-			
Air volume per cycle [cm ³]:					
320	-	-			
Oil volume per cycle [cm ³]:					
-	by request	-			
Min./max. operating temperature [°C]:					
5/80	5/80	-			
Weight [kg]:					
by request	by request	by request			

All data measured at 6 bar (hydr. 20).

See Page 271 for Accessory list.