

Rotating jaws

SB32	SB40	SB54	SB50	SB74	SB100	SB150	SB190
------	------	------	------	------	--------------	-------	-------



- Sommer-automatic
- Grippers
- Separators
- Swivel units
- Rotating jaws**
- Axial compensators
- Tool changers
- Linear cylinders
- Shock absorbers
- Rotary cylinders
- Air vane motors
- Vacuum components
- Accessories
- Quick finder



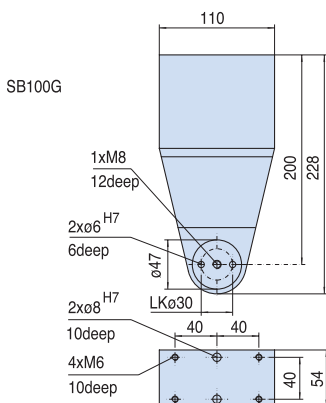
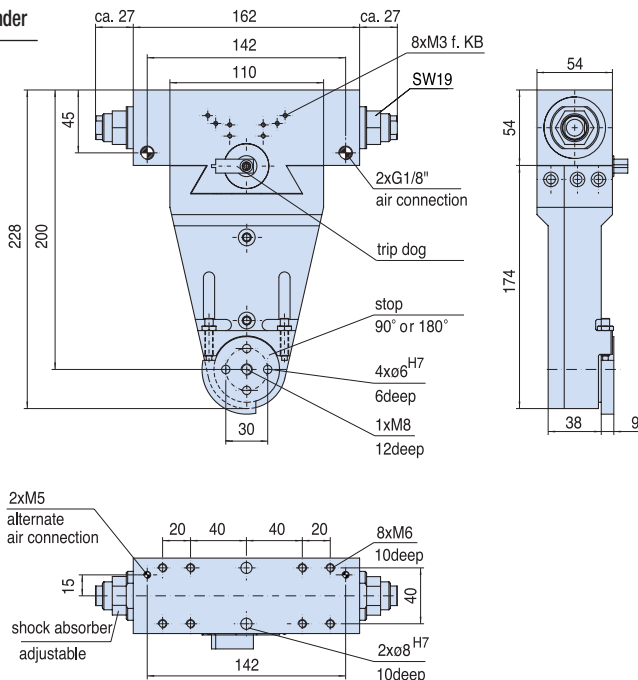
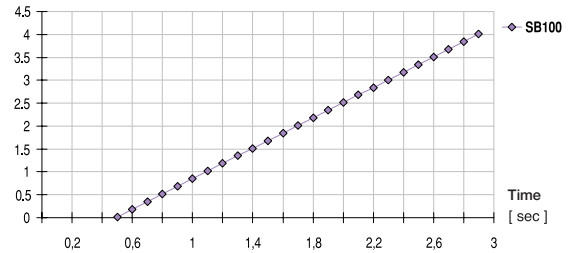
Rotating jaw SB100

Advantages, benefits, comparisons and tips!
Stacks of information all about this product are on page 271.

(sold individually)

Moment of inertia

[kg m²]



Order no.:					
SB100-90	SB100-180	SB100-90H	SB100-180H	SB100-G	
Rotation angle [°]:					
90	180	90	180	-	
Drive:					
pneum.	pneum.	hydr.	hydr.	-	
Torque/jaw [Nm]:					
10	10	33	33	-	
Rotation angle adjustable to 90° and 180° ± [°]:					
3	3	3	3	-	
Repeatability ± [°]:					
0,01	0,01	0,01	0,01	-	
Radial bearing load [Nm]*:					
5000	5000	5000	5000	5000	
Axial bearing load [N]:					
4000	4000	4000	4000	4000	
Min./max. operating pressure [bar]:					
3/8	3/8	10/20	10/20	-	
Air volume per cycle [cm³]:					
40	54	-	-	-	
Oil volume per cycle [cm³]:					
-	-	27	54	-	
Min./max. operating temperature [°C]:					
5/80	5/80	5/80	5/80	-	
Weight [kg]:					
3,6	3,6	3,6	3,6	1,5	

All data measured at 6 bar (hydr. 20 bar).

* Be careful of the strength of the grippers

See Page 271 for Accessory list.