

**Rotating jaws**

SB32	SB40	SB54	SB50	<b>SB74</b>	SB100	SB150	SB190
------	------	------	------	-------------	-------	-------	-------

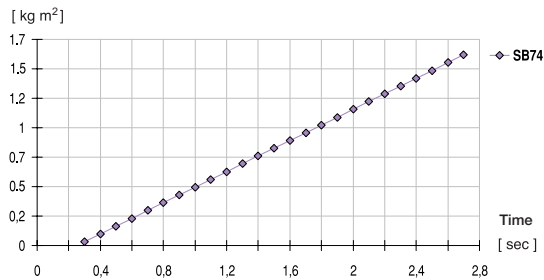


# Rotating jaw

## SB74

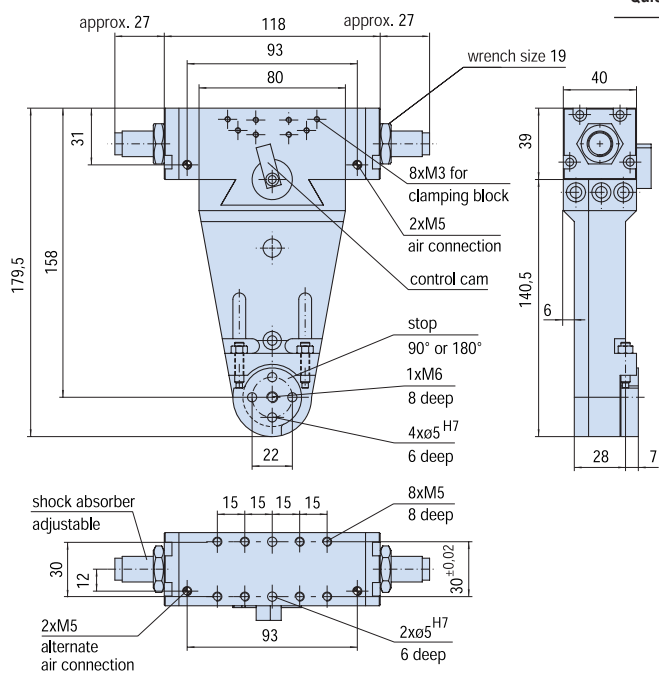
Advantages, benefits, comparisons and tips!  
Stacks of information all about this product are on page 271.  
(sold individually)

Moment of inertia



Sommer-automatic
Grippers
Separators
Swivel units
<b>Rotating jaws</b>
Axial compensators
Tool changers
Linear cylinders
Shock absorbers
Rotary cylinders
Air vane motors
Vacuum components
Accessories
Quick finder

Order no.:				
SB74-90	SB74-180	SB74-90H	SB74-180H	SB74 G
Rotation angle [°]:				
90	180	90	180	-
Drive:				
pneum.	pneum.	hydr.	hydr.	-
Torque/jaw [Nm]:				
3,5	3,5	11,5	11,5	-
Rotation angle adjustable to 90° and 180° ± [°]:				
3	3	3	3	-
Repeatability ± [°]:				
0,01	0,01	0,01	0,01	-
Radial bearing load [Nm]:				
2500	2500	2000	2500	2500
Axial bearing load [N]*:				
2000	2000	2000	2000	2000
Min./max. operating pressure [bar]:				
3/8	3/8	10/20	10/20	-
Air volume per cycle [cm³]:				
16	21	-	-	-
Oil volume per cycle [cm³]:				
-	-	11	21	-
Min./max. operating temperature [°C]:				
5/80	5/80	5/80	5/80	-
Weight [kg]:				
1,7	1,7	1,7	1,7	1,2



All data measured at 6 bar (hydr. 20).

\* Be careful of the strength of the grippers

See Page 271 for Accessory list.

