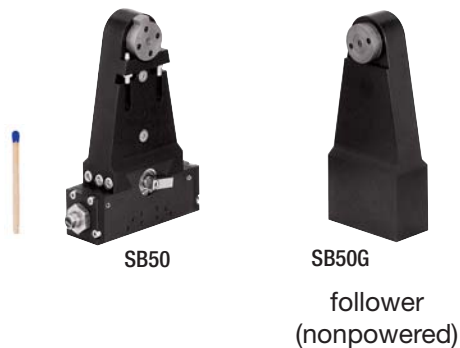


**Rotating jaws**

SB32	SB40	SB54	<b>SB50</b>	SB74	SB100	SB150	SB190
------	------	------	-------------	------	-------	-------	-------



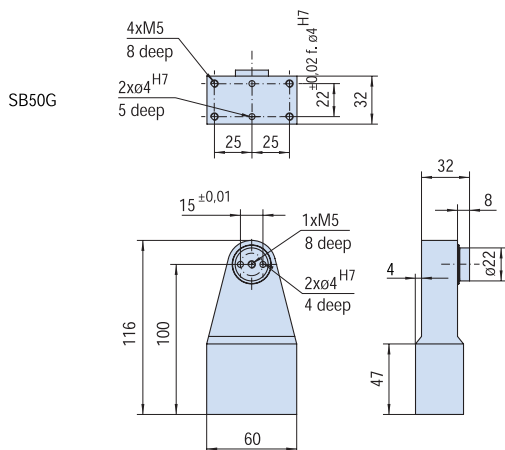
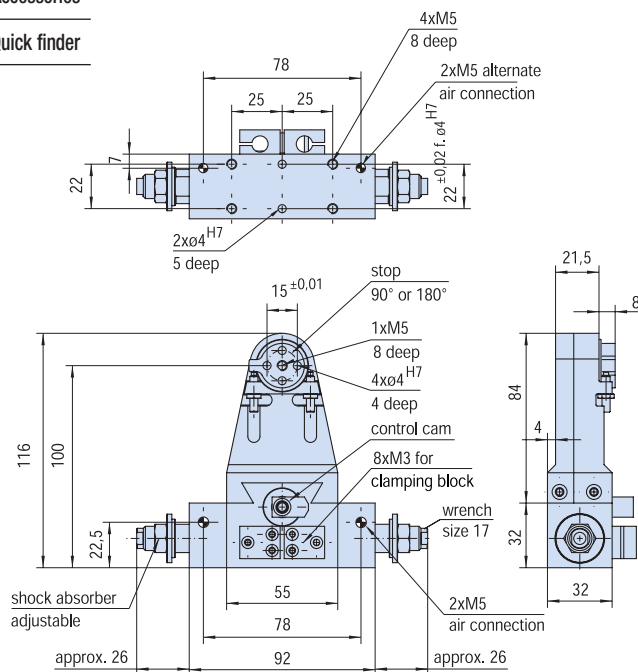
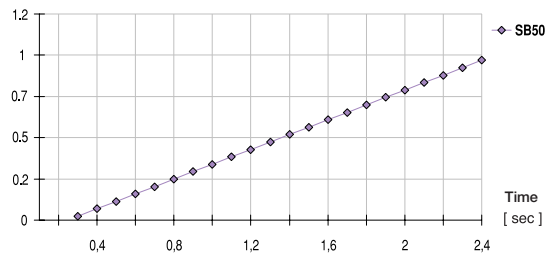
- Sommer-automatic
- Grippers
- Separators
- Swivel units
- Rotating jaws**
- Axial compensators
- Tool changers
- Linear cylinders
- Shock absorbers
- Rotary cylinders
- Air vane motors
- Vacuum components
- Accessories
- Quick finder



## Rotating jaw SB50

Advantages, benefits, comparisons and tips!  
Stacks of information all about this product are on page 271.  
(sold individually)

Moment of inertia  
[ kg m<sup>2</sup> ]



Order no.:		SB50-90	SB50-180	SB50 G			
Rotation angle [°]:		90	180	-			
Drive:		pneum.	pneum.	-			
Torque/jaw [Nm]:		1,2	1,2	-			
Rotation angle adjustable to 90° and 180° ± [°]:		3	3	-			
Repeatability ± [°]:		0,01	0,01	-			
Radial bearing load [Nm]:		1500	1500	1500			
Axial bearing load [N]*:		1200	1200	1200			
Min./max. operating pressure [bar]:		3/8	3/8	-			
Air volume per cycle [cm <sup>3</sup> ]:		5,5	7,5	-			
Min./max. operating temperature [°C]:		5/80	5/80	-			
Weight [kg]:		0,8	0,8	0,4			

All data measured at 6 bar.

\* Be careful of the strength of the grippers

See Page 271 for Accessory list.