

Flat swivel units

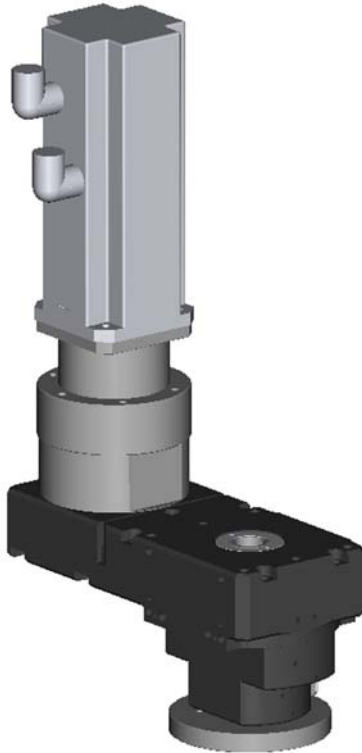
Angled swivel units

**Electric swivel units**

SF125NC SF195NC



- Sommer-automatic
- Grippers
- Separators
- Swivel units**
- Rotating jaws
- Axial compensators
- Tool changers
- Linear cylinders
- Shock absorbers
- Rotary cylinders
- Air vane motors
- Vacuum components
- Accessories
- Quick finder



## Electric swivel unit

Swivel angle: infinite

Advantages, benefits, comparisons and tips!  
Stacks of information all about this product are on page 262.3

Order no.:					
SF125-NC14	SF125-NC18				
Drive:					
electr.	electr.				
Rotation angle adjustment [°]:					
infinite.	infinite.				
Torque max. [Nm]*:					
1-100	1-100				
Rotation time [s]:					
by request					
Repeatability ± [°]:					
0,03	0,03				
Voltage [V]*:					
by request					
Current max. [A]:					
by request					
Operating temp. min./max. [°C]:					
5/60	5/60				
Radial bearing load max. [Nm]:					
400	-				
Axial bearing load max. [N]:					
3000	-				
Weight [kg]:					
by request					

