

Separators

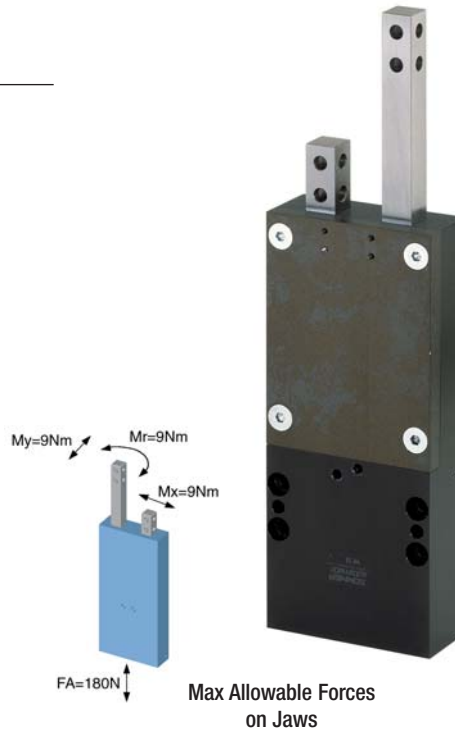
| | | | | | | | |
|-------|-------|-------|-------|------|------|-------------|-------------|
| VEG14 | VEG15 | VEG22 | VEG23 | VE14 | VE15 | VE22 | VE23 |
|-------|-------|-------|-------|------|------|-------------|-------------|



Separator/Feed escapement

Advantages, benefits, comparisons and tips!
Stacks of information all about this product are on page 197.

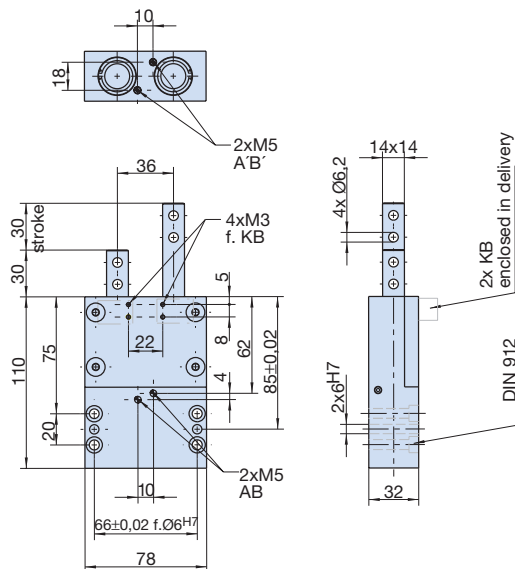
| | |
|--|-------------|
| Order no.: | |
| VE22 | VE23 |
| Drive | |
| pneum. | pneum. |
| Stroke per rod [mm]: | |
| 30 | 60 |
| Force in retraction [N]: | |
| 170 | 170 |
| Force in extension [N]: | |
| 220 | 220 |
| Self-locking via: | |
| mech. | mech. |
| Entry/departure time [s]: | |
| 0,2 | 0,2 |
| Repeatability ± [mm]: | |
| 0,05 | 0,05 |
| Min./max. operating pressure [bar]: | |
| 3/8 | 3/8 |
| Air volume per cycle [cm³]: | |
| 42 | 83 |
| Min./max. operating temperature [°C]: | |
| 5/80 | 5/80 |
| Temp. resistant version up to 150° C [add to part number]: | |
| T2 | T2 |
| Piston diameter [mm]: | |
| 22 | 22 |
| Weight [kg]: | |
| 0,950 | 1,500 |



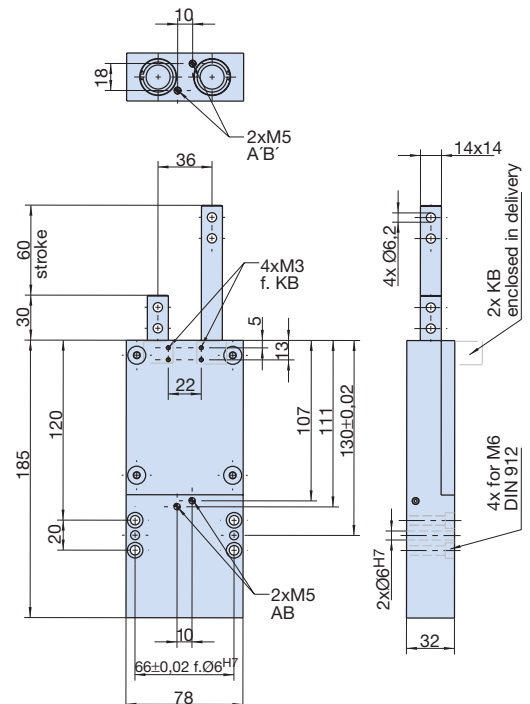
| |
|--------------------|
| Sommer-automatic |
| Grippers |
| Separators |
| Swivel units |
| Rotating jaws |
| Axial compensators |
| Tool changers |
| Linear cylinders |
| Shock absorbers |
| Rotary cylinders |
| Air vane motors |
| Vacuum components |
| Accessories |
| Quick finder |

All data measured at 6 bar.

See Page 197 for Accessory list.



VE 22



VE 23