

Parallel gripper

Three-jaw gripper

Angle gripper

Internal-hole gripper

Other grippers

Electric gripper

GED1302 GED1306

GED1502 GED1506



Sommer-automatic

Grippers

Separators

Swivel units

Rotating jaws

Axial compensators

Tool changers

Linear cylinders

Shock absorbers

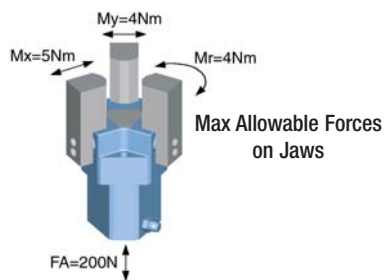
Rotary cylinders

Air vane motors

Vacuum components

Accessories

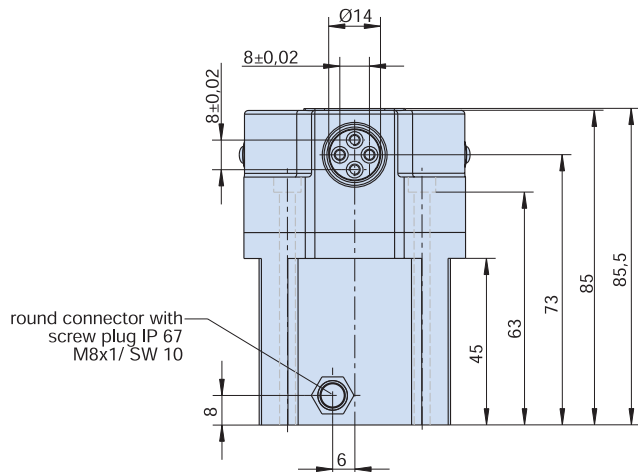
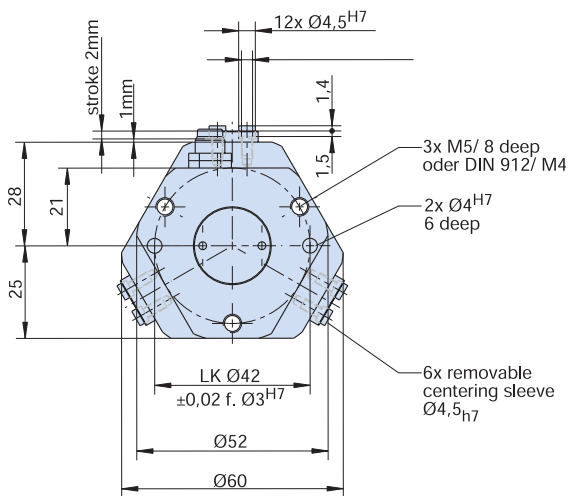
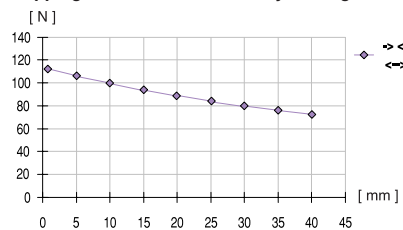
Quick finder



Electric three-jaw gripper with sealed round guide

Advantages, benefits, comparisons and tips! Stacks of information all about this product are on page 189.

Gripping force as a function of jaw length



Order no.:				
GED1502				
Drive:				
Electr.				
Stroke per jaw [mm]:				
2				
Gripping force in closing (adjustable) [N]:				
115				
Gripping force in opening (adjustable) [N]:				
115				
Self-locking via:				
mech. + el.				
Closing time/opening time [s]:				
0,2				
Repeatability \pm [mm]:				
0,02				
Voltage [V DC]**:				
24				
Current max. adjustable via potentiometer [mA]:				
140				
Min./max. operating temperature [°C]:				
5/80				
Weight [kg]:				
0,320				

All data measured at 90 mA.

** Voltage 12 Volt by request.

See Page 189 for Accessory list.

DIN Rail Mountable Controller Included!

Power supply required