

Parallel gripper

Three-jaw gripper

Angle gripper

Internal-hole gripper

Other grippers

**Electric gripper**

**GEP1402**

GEP1406

GEP1602

GEP1606



Sommer-automatic

**Grippers**

Separators

Swivel units

Rotating jaws

Axial compensators

Tool changers

Linear cylinders

Shock absorbers

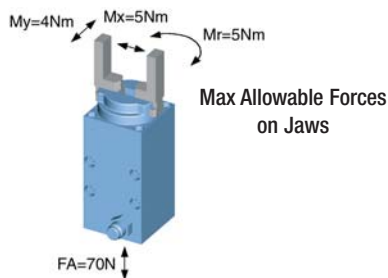
Rotary cylinders

Air vane motors

Vacuum components

Accessories

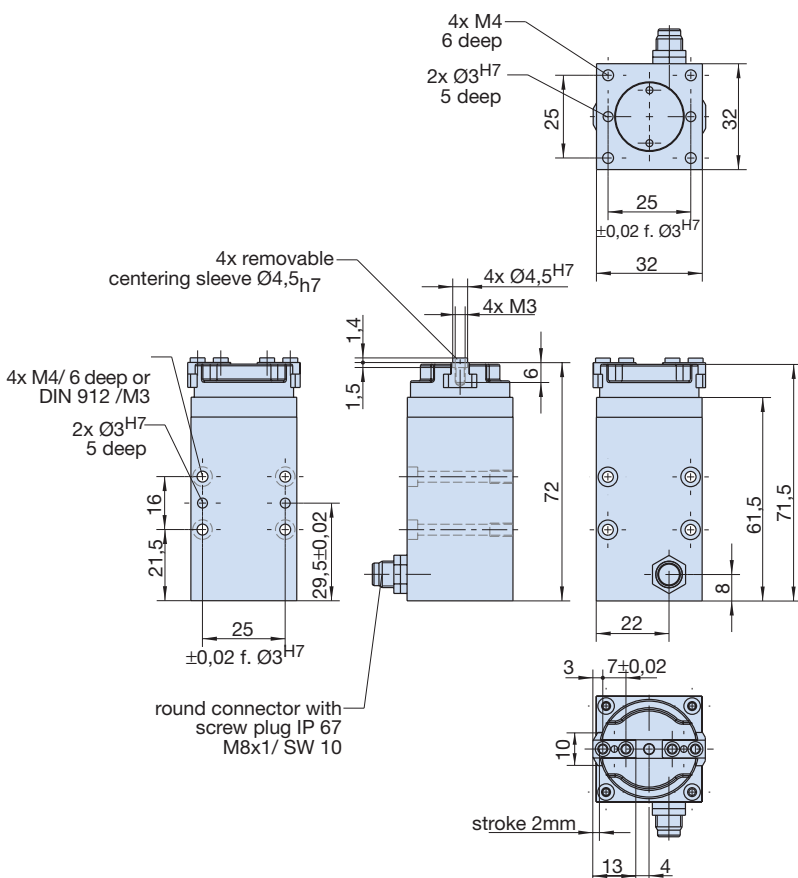
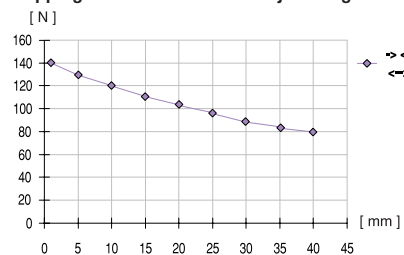
Quick finder



## Electric parallel gripper with T-slot guide

Advantages, benefits, comparisons and tips! Stacks of information all about this product are on page 183.

Gripping force as a function of jaw length



Order no.:				
<b>GEP1402</b>				
Drive:				
Electr.				
Stroke per jaw [mm]:				
2				
Gripping force in closing (adjustable) [N]:				
140				
Gripping force in opening (adjustable) [N]:				
140				
Self-locking via:				
mech. + el.				
Closing time/opening time [s]:				
0,2				
Repeatability ± [mm]:				
0,02				
Voltage [V DC]**:				
24				
Current max. adjustable via potentiometer [mA]:				
140				
Min./max. operating temperature [°C]:				
5/80				
Weight [kg]:				
0,3				

All data measured at 140 mA.

\*\*Voltage 12 Volt by request.

See Page 183 for Accessory list.

**DIN Rail Mountable Controller Included!**

Power supply required