

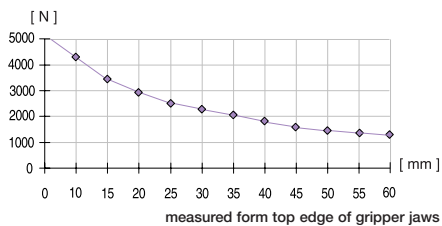
Parallel gripper		Three-jaw gripper		Angle gripper		Internal-hole gripper		<b>Other grippers</b>			Electric gripper	
SCH20	SCH23	ST36	ST40	ZK22	<b>ZK33</b>	GS65	RG0-30	RG10-60	SPG30-95	GF40	GF41	HM



## Cutting/Toggle tong

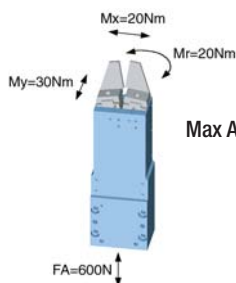
Advantages, benefits, comparisons and tips!  
Stacks of information all about this product are on page 171.

Gripping force (in power stroke) as a function of jaw length



These wire thicknesses can be cut  
(35 mm from top edge of gripper)

- max. Ø 6,0 mm Copper wire
- max. Ø 5,0 mm Brass wire
- max. Ø 4,0 mm Steel wire (St52)



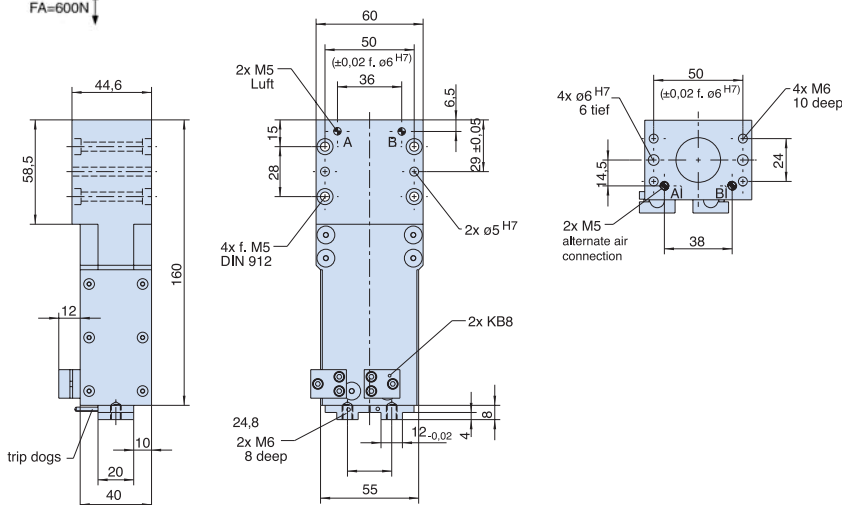
Max Allowable Forces on Jaws



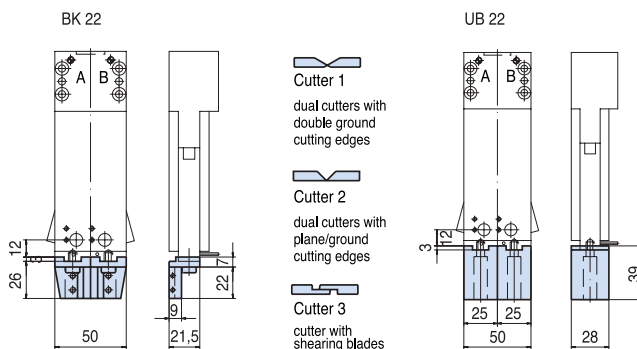
ZK33

Sommer-automatic
<b>Grippers</b>
Separators
Swivel units
Rotating jaws
Axial compensators
Tool changers
Linear cylinders
Shock absorbers
Rotary cylinders
Air vane motors
Vacuum components
Accessories
Quick finder

Order no.:	ZK33
Drive:	pneum.
Power stroke per jaw [°]:	9
Power Stroke per jaw [°]:	2
Gripping force in closing [N]:	4200
Gripping torque in closing [Nm]*:	110
Self-locking via:	mech.
Closing time/opening time [s]:	0,2
Repeatability± [mm]:	0,1
Min./max. operating pressure [bar]:	3/8
Air volume per cycle [cm³]:	73
Min./max. operating temperature [°C]:	5/80
Temp. resistant version up to 150° C [add to part number]:	T2
Piston diameter [mm]:	40
Weight [kg]:	1,3



Order no.:	BK22	Knife 1	Knife 2	Knife 3	UB22
------------	------	---------	---------	---------	------



All data measured at 6 bar.  
All data measured at 10 mm from top edge of gripper jaw.  
\* measured at 1° opening angle/jaw.

See Page 171 for Accessory list.