

Parallel gripper

Three-jaw gripper

**Angle gripper**

Internal-hole gripper

Other grippers

Electric gripper

SGW14

SGW25

**SGW35**



Sommer-automatic

Grippers

Separators

Swivel units

Rotating jaws

Axial compensators

Tool changers

Linear cylinders

Shock absorbers

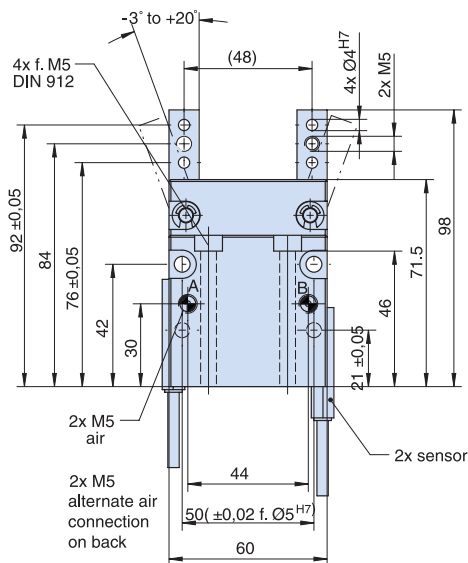
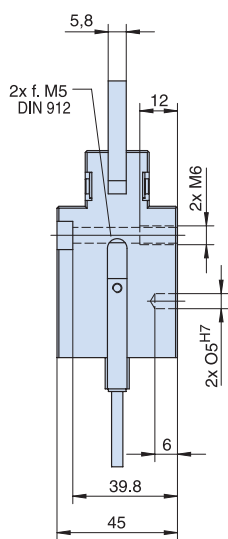
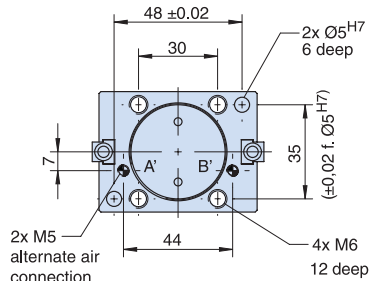
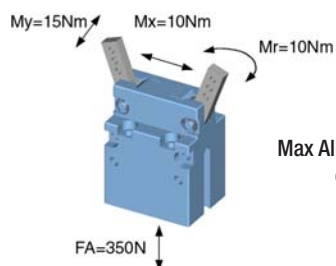
Rotary cylinders

Air vane motors

Vacuum components

Accessories

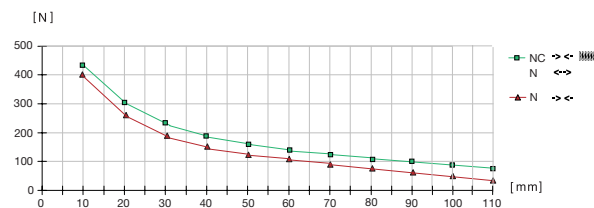
Quick finder



## Low-cost angular gripper

Advantages, benefits, comparisons and tips!  
Stacks of information all about this product are on page 154.1

Gripping force as a function of opening angle



Order no.:		SGW35 N	SGW35 NC			
Drive:		pneum.	pneum.			
Stroke per jaw [°]:		-3/+20	-3/+20			
Gripping torque in closing [Nm]:		8	10			
Gripping torque in opening [Nm]:		10	-			
Self-locking via:		DSV1/8	Feder			
Closing time/opening time [s]:		0,05	0,06			
Repeatability ± [mm]:		0,1	0,1			
Min./max. operating pressure [bar]:		3/8	5/8			
Air volume per cycle [cm <sup>3</sup> ]:		18	18			
Min./max. operating temperature. [°C]:		5/80	5/80			
Temp. resistant version up to 150°C [add to part number]:		T	T			
Piston diameter [mm]:		35	35			
Weight [kg]:		0,54	0,57			

All data measured at 6 bar.

See Page 154.1 for Accessory list.