

# 3 Point Long Stroke Gripper

## Forces and Moments

Max allowable forces and moments on jaws.



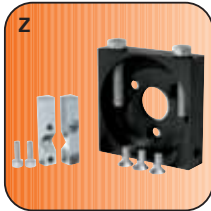
## Accessory list



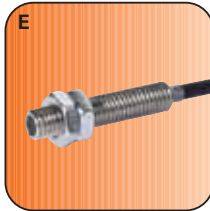
Pneumatic fittings  
Order no. WVM5



Pneumatic fittings  
Order no. GVM5



Rotation limiter  
Order no. DB1-B



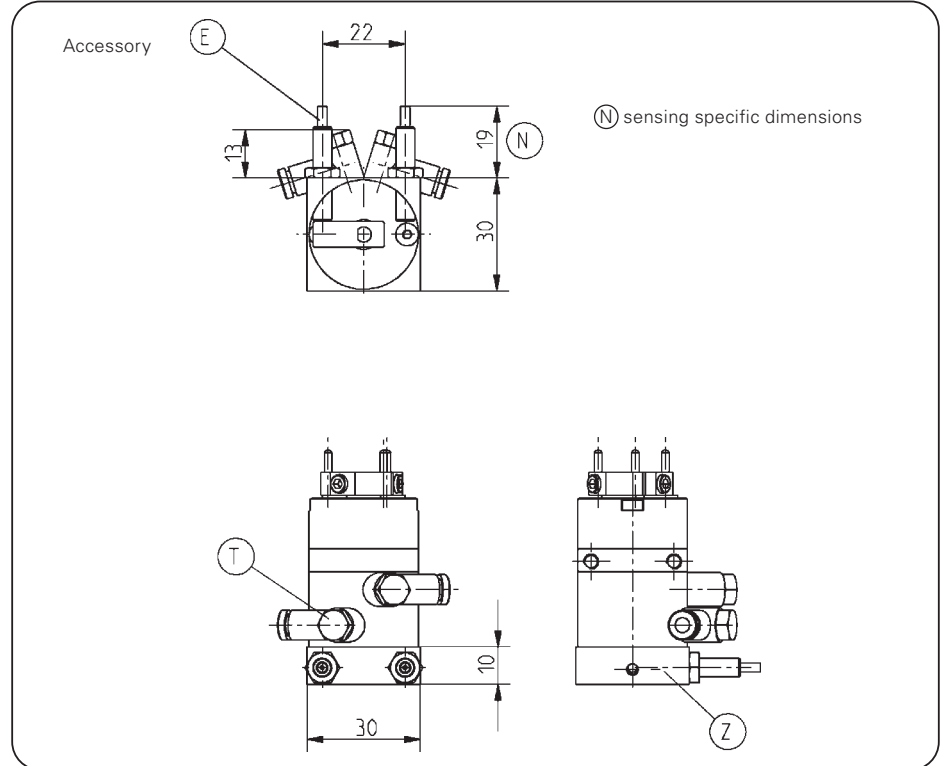
Proximity switch  
Order no. NJ3-E2/02



Plug 3- pole  
Order no. S12-G-3



Pressure safety valve  
Order no. DSV1/8



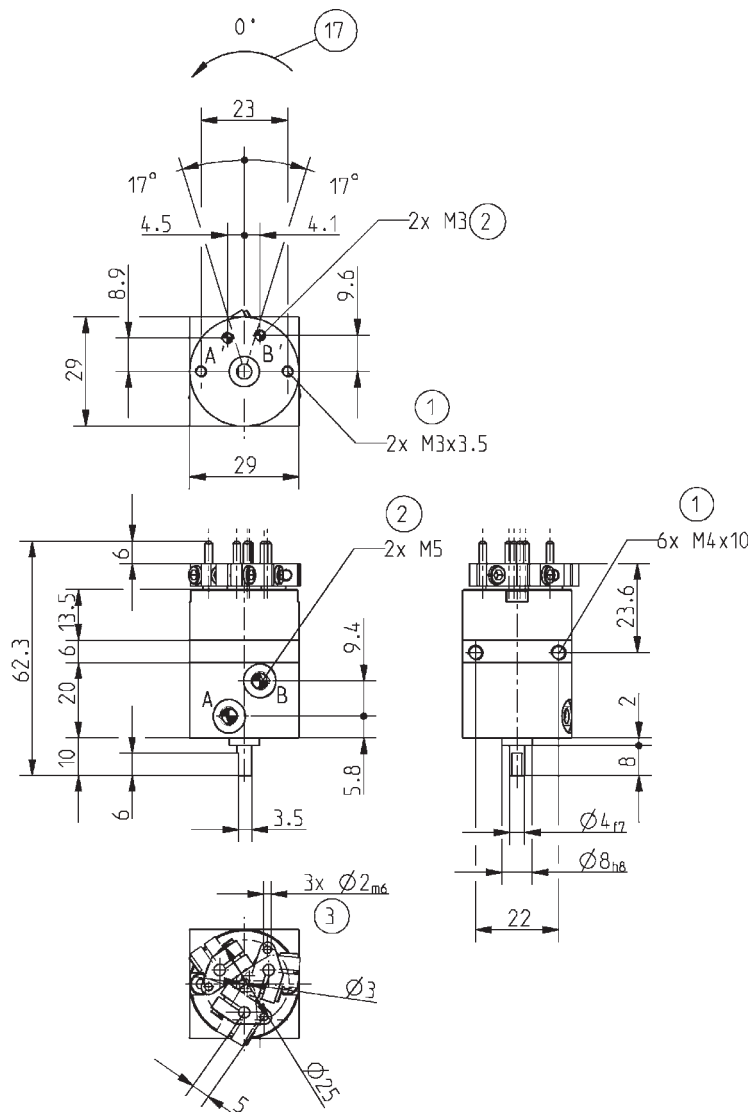
Subject to change without prior notice

Order no.:	GD1-B
Stroke per jaw [°]:	130
Grip diameter in closing min./max [mm]:	3/22
Grip diameter in opening min./max. [mm]:	8/25
Gripping moment in closing and opening [Nm]:	0.12
Recommended workpiece weight [g]*:	122
Closing time/opening time [s]:	0.02
Repeatability +/- [mm]:	0.1
Min./max. operating pressure [bar]:	3/8
Min./max. operating temperature [°C]:	5/60
Air volume per cycle [cm³]:	2.8
Weight [g]:	83

All data measured at 6 bar

\* Value determined with friction coefficient  $\mu = 0.1$  and safety factor  $v = 2$

GD1-B



- ① Gripper mounting
- ② Power supply
- ①⑦ Direction of rotation
- Ⓐ Air connection (closing)
- Ⓑ Air connection (opening)
- Ⓐ Alternate air connection (closing)
- Ⓑ Alternate air connection (opening)

Subject to change without prior notice