

Parallel Gripper

**Three-jaw gripper**

Angle gripper

Internal-hole gripper

Other grippers

Electric Gripper

GD46

GD70

**GD110**

GD160

Universal jaw



Sommer-automatic

Grippers

Separators

Swivel units

Rotating jaws

Axial compensators

Tool changers

Linear cylinders

Shock absorbers

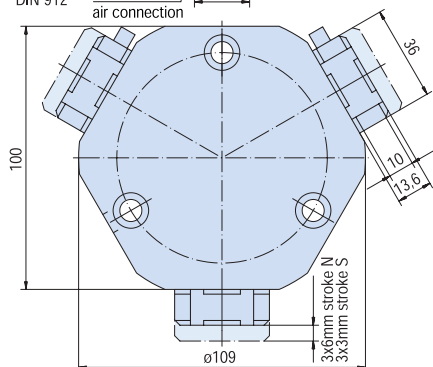
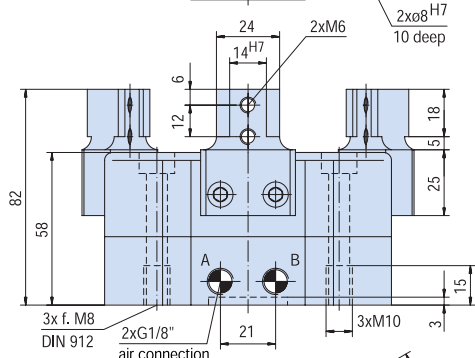
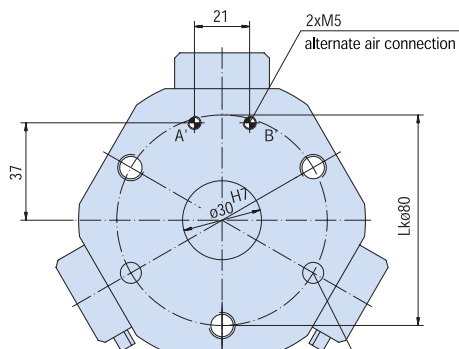
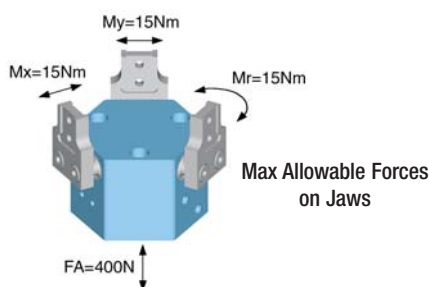
Rotary cylinders

Air vane motors

Vacuum components

Accessories

Quick finder

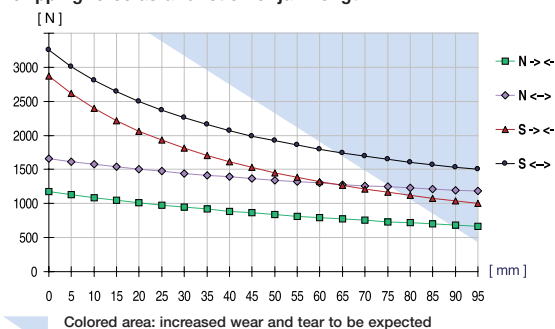


## Three-jaw gripper

sealed and rust-resistant

Advantages, benefits, comparisons and tips!  
Stacks of information all about this product are on page 129.

### Gripping force as a function of jaw length



Order no.:	
GD110 N	GD110 S
Drive:	
pneum.	pneum.
Stroke per jaw [mm]:	
6	3
Gripping force in closing [N]:	
1200	2800
Gripping force in opening [N]:	
1700	3300
Self-locking via:	
DSV1/8	DSV1/8
Closing time/opening time [s]:	
0,05	0,05
Repeatability ± [mm]:	
0,1	0,1
Min./max. operating pressure [bar]:	
4/8	4/8
Air volume per cycle [cm <sup>3</sup> ]:	
47	47
Min./max. operating temperature. [°C]:	
5/80	5/80
Temp. resistant version up to 150° C [add to part number]:	
T3	T3
Piston diameter [mm]:	
50	50
Weight [kg]:	
1,67	1,67

All data measured at 6 bar.

See Page 129 for Accessory list.