

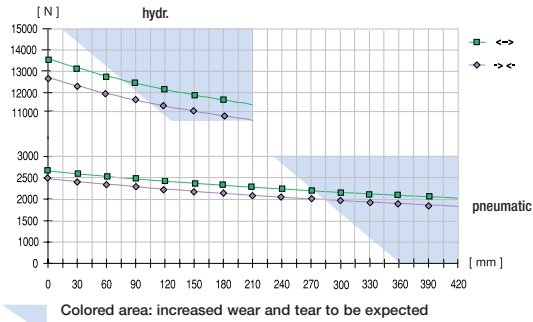
Parallel Gripper	<b>Three-jaw gripper</b>	Angle gripper	Internal-hole gripper	Other grippers	Electric Gripper
GD530	GD540	<b>GD560</b>			



# Three-jaw long-stroke gripper with T-slot guide

Advantages, benefits, comparisons and tips! Stacks of information all about this product are on page 124.

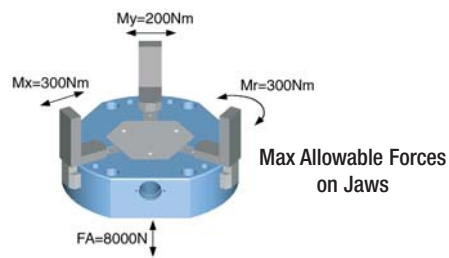
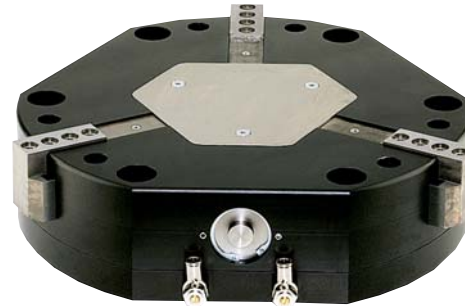
### Gripping force as a function of jaw length



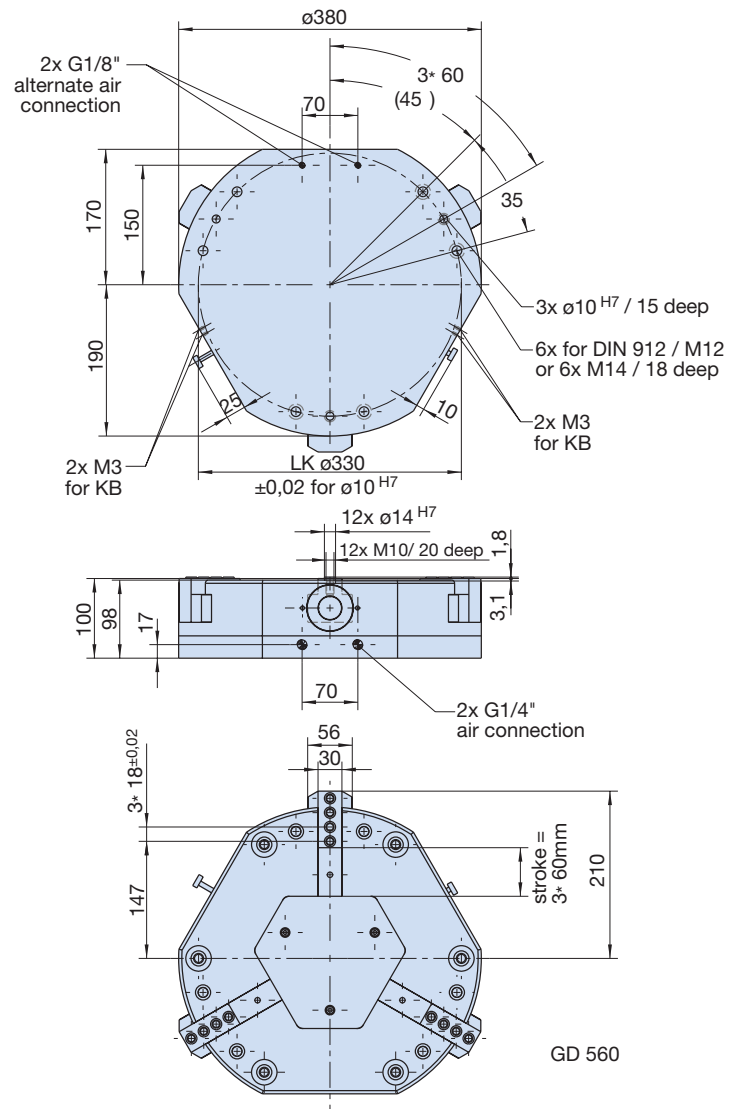
Order no.:	
GD560	GD560
-	H
Drive:	
pneum.	hydr.
Stroke per jaw [mm]:	
60	60
Gripping force in closing and opening [N]:	
2480	12400
Self-locking via:	
DSV 1/8	-
Closing time/opening time [s]:	
0,45	0,8
Repeatability ± [mm]:	
0,05	0,05
Min./max. operating pressure [bar]:	
3/6	10/40
Air volume per cycle [cm³]:	
650	-
Oil volume per cycle [cm³]:	
-	650
Min./max. operating temperature [°C]:	
5-80	5-80
Temp. resistant version up to 150°C [add to part number]	
T6	T6
Piston diameter [mm]:	
45	45
Weight [kg]:	
29,0	29,0

All data measured at 6 bar (hydr. 30 bar).

See Page 124 for Accessory list.



Sommer-automatic
<b>Grippers</b>
Separators
Swivel units
Rotating jaws
Axial compensators
Tool changers
Linear cylinders
Shock absorbers
Rotary cylinders
Air vane motors
Vacuum components
Accessories
Quick finder



GD 560