

Parallel gripper	<b>Three-jaw gripper</b>	Angle gripper	Internal-hole gripper	Other grippers	Electric gripper		
GD1704	<b>GD1706</b>	GD1708	GD1710	GD1712	GD1716	GD1720	Universal jaw

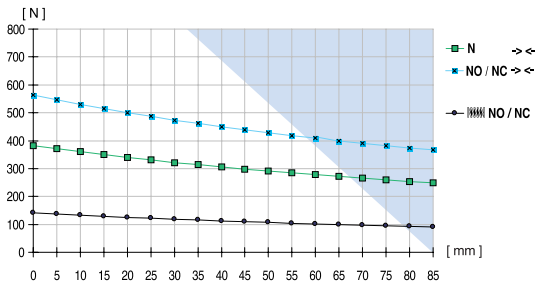


# Three-jaw gripper

with sealed 4-sided guide

Advantages, benefits, comparisons and tips! Stacks of information all about this product are on page 115.

### Gripping force as a function of jaw length



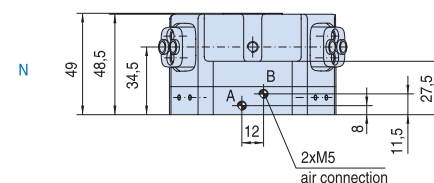
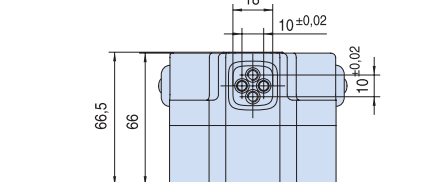
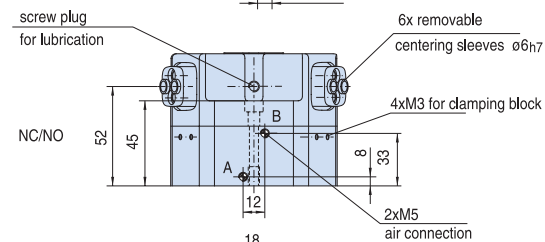
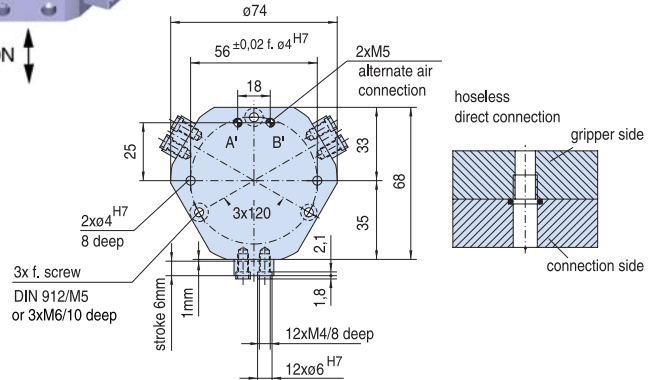
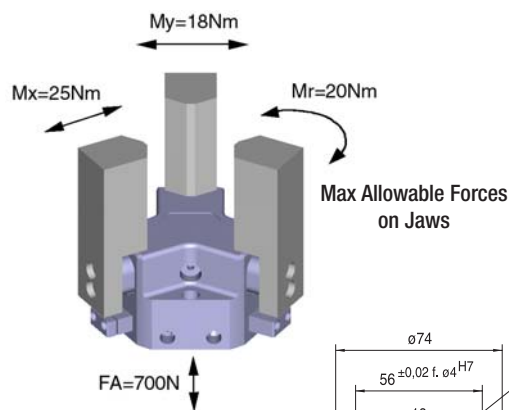
Colored area: increased wear and tear to be expected

Order no.:		
GD1706 N	GD1706 NC	GD1706 NO
Drive:		
pneum.	pneum.	pneum.
Stroke per jaw [mm]:		
6	6	6
Gripping force in closing [N]:		
380	560	-
Gripping force in opening [N]*:		
600	-	740
Self-locking via:		
DSV1/8	Spring	Spring
Closing time/opening time [s]:		
0,7	0,12	0,12
Repeatability ± [mm]:		
0,05	0,05	0,05
Min./max. operating pressure for closing [bar]:		
4/8	5/8	-
Min./max. operating pressure for opening [bar]:		
4/8	-	4/5
Air volume per cycle [cm <sup>3</sup> ]:		
22	47	47
Min./max. operating temperature [°C]:		
5/80	5/80	5/80
Temp. resistant version up to 150° C [add to part number]:		
T3	T3	T3
Piston diameter [mm]:		
40	40	40
Weight [kg]:		
0,60	0,80	0,80

All data measured at 6 bar.

\* measured at 4 bar.

See Page 115 for Accessory list.



Sommer-automatic
<b>Grippers</b>
Separators
Swivel units
Rotating jaws
Axial compensators
Tool changers
Linear cylinders
Shock absorbers
Rotary cylinders
Air vane motors
Vacuum components
Accessories
Quick finder