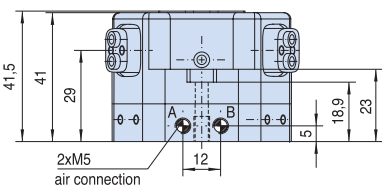
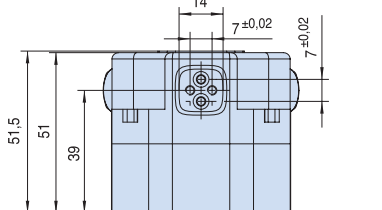
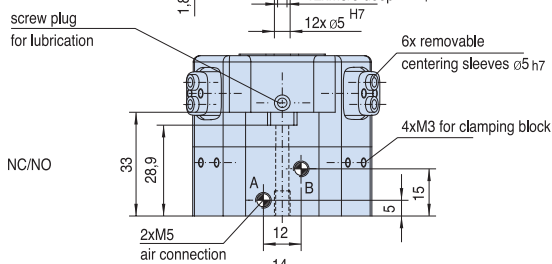
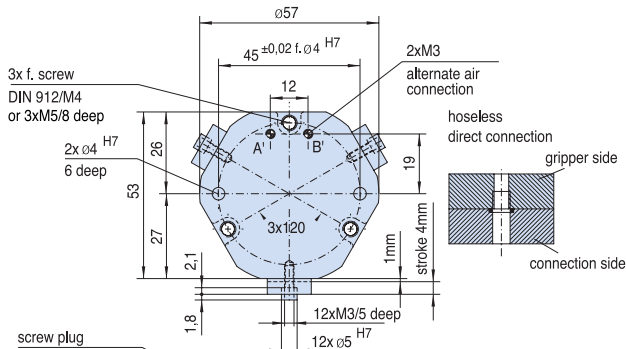
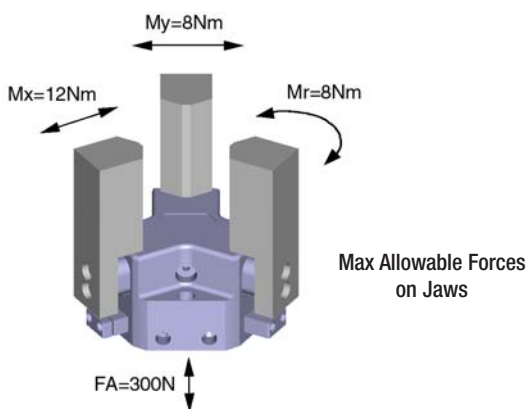


Parallel gripper **Three-jaw gripper** Angle gripper Internal-hole gripper Other grippers Electric gripper

**GD1704** GD1706 GD1708 GD1710 GD1712 GD1716 GD1720 Universal jaw



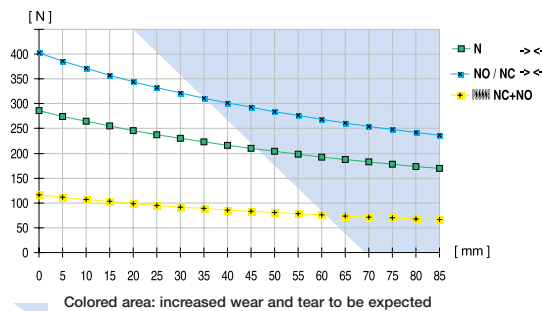
- Sommer-automatic
- Grippers**
- Separators
- Swivel units
- Rotating jaws
- Axial compensators
- Tool changers
- Linear cylinders
- Shock absorbers
- Rotary cylinders
- Air vane motors
- Vacuum components
- Accessories
- Quick finder



## Three-jaw gripper with sealed 4-sided guide

Advantages, benefits, comparisons and tips! Stacks of information all about this product are on page 115.

Gripping force as a function of jaw length



Order no.:					
GD1704 N	GD1704 NC	GD1704 NO			
<b>Drive:</b>					
pneum.	pneum.	pneum.			
<b>Stroke per jaw [mm]:</b>					
4	4	4			
<b>Gripping force in closing [N]:</b>					
280	400	-			
<b>Gripping force in opening [N]*:</b>					
280	-	410			
<b>Self-locking via:</b>					
DSV1/8	Spring	Spring			
<b>Closing time/opening time [s]:</b>					
0,05	0,08	0,08			
<b>Repeatability ± [mm]:</b>					
0,05	0,05	0,05			
<b>Min./max. operating pressure for closing [bar]:</b>					
4/8	5/8	-			
<b>Min./max. operating pressure for opening [bar]:</b>					
4/8	-	4/5			
<b>Air volume per cycle [cm³]:</b>					
12	20	20			
<b>Min./max. operating temperature [°C]:</b>					
5/80	5/80	5/80			
<b>Temp. resistant version up to 150° C [add to part number]:</b>					
T3	T3	T3			
<b>Piston diameter [mm]:</b>					
35	35	35			
<b>Weight [kg]:</b>					
0,3	0,35	0,35			

All data measured at 6 bar.

\* measured at 4 bar.

See Page 115 for Accessory list.