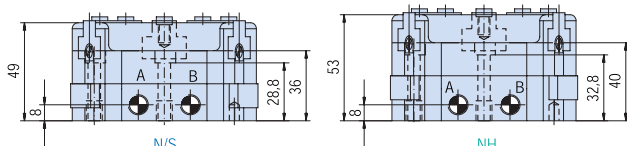
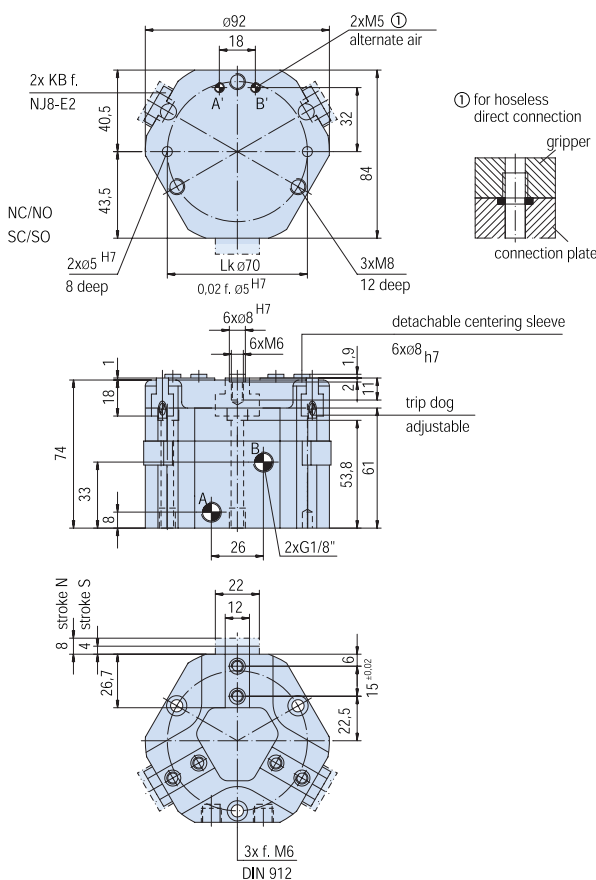
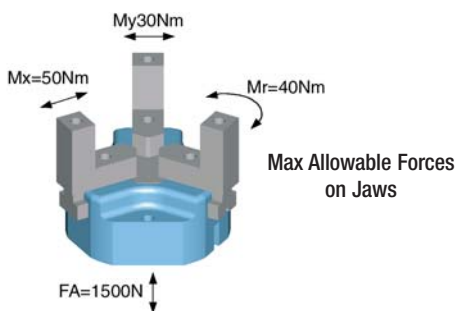


Parallel gripper **Three-jaw gripper** Angle gripper Internal-hole gripper Other grippers Electric gripper

GD304 GD306 **GD308** GD310 GD312 GD316 GD320 Pressing star Universal jaw



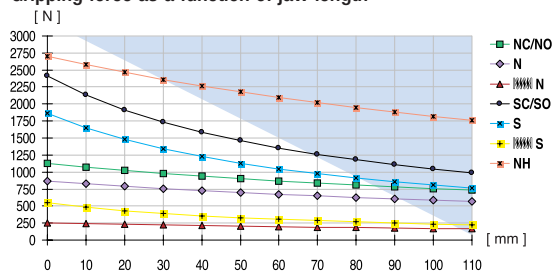
- Sommer-automatic
- Grippers**
- Separators
- Swivel units
- Rotating jaws
- Axial compensators
- Tool changers
- Linear cylinders
- Shock absorbers
- Rotary cylinders
- Air vane motors
- Vacuum components
- Accessories
- Quick finder



Three-jaw gripper with T-slot guide

Advantages, benefits, comparisons and tips! Stacks of information all about this product are on page 103.

Gripping force as a function of jaw length



Colored area: increased wear and tear to be expected

Order no.:						
GD308 N	GD308 NC	GD308 NO	GD308 S	GD308 SC	GD308 SO	GD308 NH
Drive:						
pneum.	pneum.	pneum.	pneum.	pneum.	pneum.	hydr.
Stroke per jaw [mm]:						
8	8	8	4	4	4	8
Gripping force in closing and opening [N]:						
875	-	-	1850	-	-	2700
Gripping force in closing [N]:						
-	1125	-	-	2440	-	-
Gripping force in opening [N]:						
-	-	1125	-	-	2440	-
Self-locking via:						
DSV1/8	Spring	Spring	DSV1/8	Spring	Spring	-
Closing time/opening time [s]:						
0,07	0,09	0,09	0,07	0,09	0,09	0,4
Repeatability \pm [mm]:						
0,05	0,05	0,05	0,05	0,05	0,05	0,05
Min./max. operating pressure [bar]:						
3/8	5/8	5/8	3/8	5/8	5/8	10/40
Air volume per cycle [cm³]:						
36	85	85	36	85	85	-
Oil volume per cycle [cm³]:						
-	-	-	-	-	-	23
Min./max. operating temperature [°C]:						
5/80	5/80	5/80	5/80	5/80	5/80	5/80
Temp. resistant version up to 150° C [add to part number]:						
T2	T2	T2	T2	T2	T2	T2
Piston diameter [mm]:						
50	50	50	50	50	50	40
Weight [kg]:						
1,0	1,3	1,3	1,0	1,3	1,3	1,0

All data measured at 6 bar (hydr. 30 bar).

See Page 103 for Accessory list.

Pressing star available (see page 111).