

Parallel gripper **Three-jaw gripper** Angle gripper Internal-hole gripper Other grippers Electric gripper

GD304 GD306 GD308 GD310 GD312 GD316 GD320 Pressing star Universal jaw



Sommer-automatic

Grippers

Separators

Swivel units

Rotating jaws

Axial compensators

Tool changers

Linear cylinders

Shock absorbers

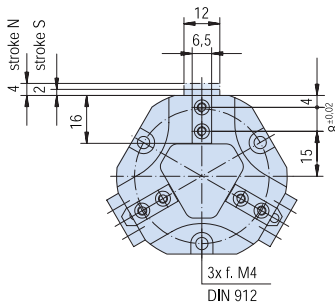
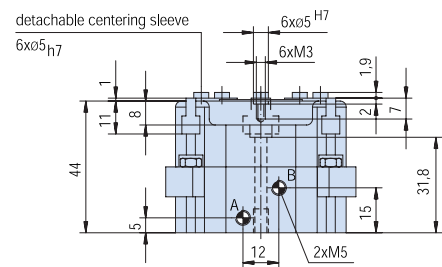
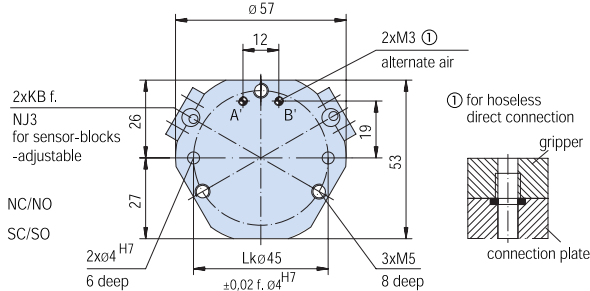
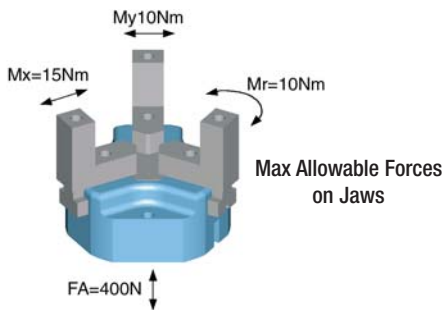
Rotary cylinders

Air vane motors

Vacuum components

Accessories

Quick finder

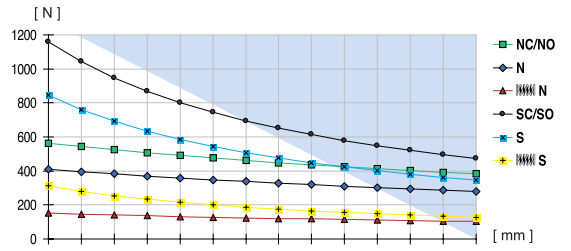


N/S

Three-jaw gripper with T-slot guide

Advantages, benefits, comparisons and tips! Stacks of information all about this product are on page 103.

Gripping force as a function of jaw length



Colored area: increased wear and tear to be expected

Order no.:

GD304 N	GD304 NC	GD304 NO	GD304 S	GD304 SC	GD304 SO
---------	----------	----------	---------	----------	----------

Drive:

pneum.	pneum.	pneum.	pneum.	pneum.	pneum.
--------	--------	--------	--------	--------	--------

Stroke per jaw [mm]:

4	4	4	2	2	2
---	---	---	---	---	---

Gripping force in closing and opening [N]:

420	-	-	850	-	-
-----	---	---	-----	---	---

Gripping force in closing [N]:

-	560	-	-	1160	-
---	-----	---	---	------	---

Gripping force in opening [N]:

-	-	560	-	-	1160
---	---	-----	---	---	------

Self-locking via:

DSV1/8	Spring	Spring	DSV1/8	Spring	Spring
--------	--------	--------	--------	--------	--------

Closing time/opening time [s]:

0,05	0,07	0,07	0,05	0,07	0,07
------	------	------	------	------	------

Repeatability ± [mm]:

0,05	0,05	0,05	0,05	0,05	0,05
------	------	------	------	------	------

Min./max. operating pressure [bar]:

3 / 8	5 / 8	5 / 8	3 / 8	5 / 8	5 / 8
-------	-------	-------	-------	-------	-------

Air volume per cycle [cm³]:

9	18	18	9	18	18
---	----	----	---	----	----

Min./max. operating temperature [°C]:

5 / 80	5 / 80	5 / 80	5 / 80	5 / 80	5 / 80
--------	--------	--------	--------	--------	--------

Temp. resistant version up to 150° C [add to part number]:

T2	T2	T2	T2	T2	T2
----	----	----	----	----	----

Piston diameter [mm]:

35	35	35	35	35	35
----	----	----	----	----	----

Weight [kg]:

0,3	0,3	0,3	0,3	0,3	0,3
-----	-----	-----	-----	-----	-----

All data measured at 6 bar.

See Page 103 for Accessory list.