

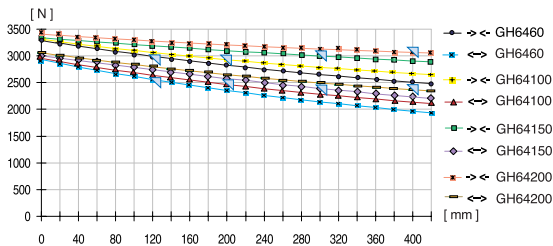
Parallel gripper		Three-jaw gripper		Angle gripper		Internal-hole gripper		Other grippers		Electric gripper			
GH6040	GH6060	GH6080	GH6140	GH6160	GH6180	GH6240	GH6460	GH64100	GH62100	<b>GH6460</b>	<b>GH64100</b>	<b>GH64150</b>	<b>GH64200</b>



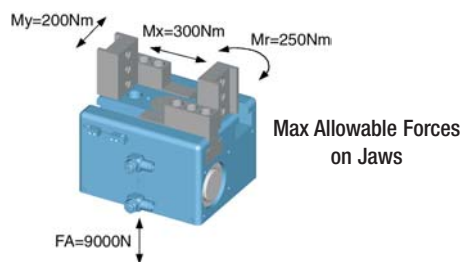
# Long-stroke gripper with T-slot guide

Advantages, benefits, comparisons and tips! Stacks of information all about this product are on page 87.

## Gripping force as a function of jaw length



Colored area: increased wear and tear to be expected

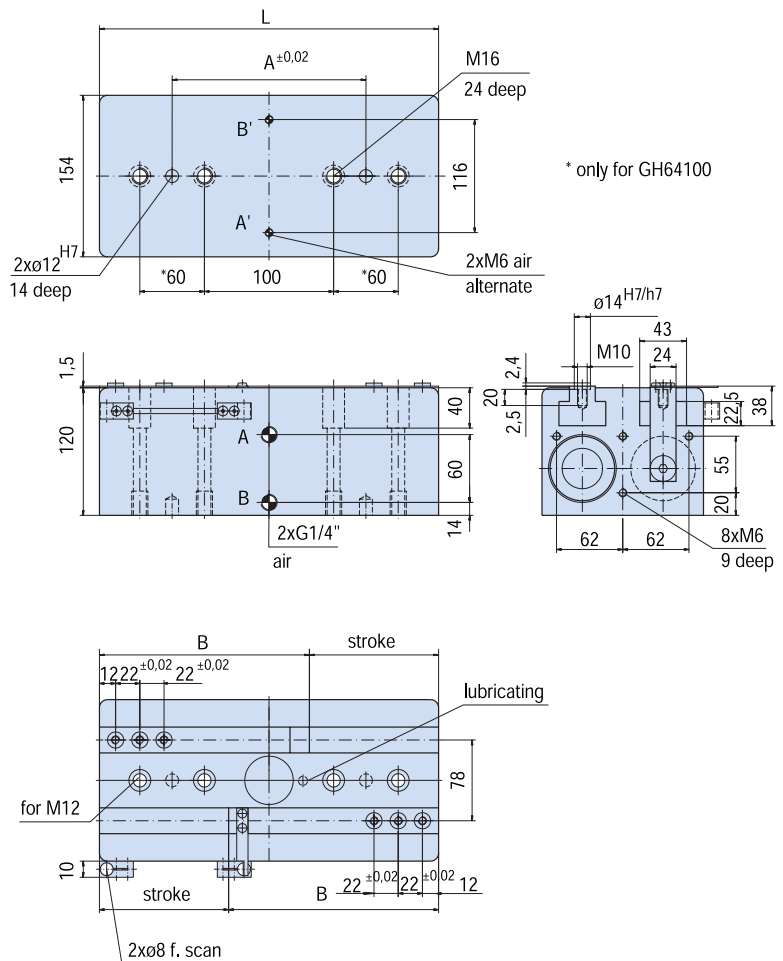


Sommer-automatic
<b>Grippers</b>
Separators
Swivel units
Rotating jaws
Axial compensators
Tool changers
Linear cylinders
Shock absorbers
Rotary cylinders
Air vane motors
Vacuum components
Accessories
Quick finder

Order no.:			
<b>GH6460</b>	<b>GH64100</b>	<b>GH64150</b>	<b>GH64200</b>
Drive:			
pneum.	pneum.	pneum.	pneum.
Stroke per jaw [mm]:			
60	100	150	200
Gripping force in closing [N]:			
3000	3000	3000	3000
Gripping force in opening [N]:			
3250	3250	3250	3250
Self-locking via:			
DSV1/8	DSV1/8	DSV1/8	DSV1/8
Closing time/opening time [s]:			
0,45	0,6	0,9	1,2
Repeatability ± [mm]:			
0,05	0,05	0,05	0,05
Min./max. operating pressure [bar]:			
4 / 10	4 / 10	4 / 10	4 / 10
Air volume per cycle [cm <sup>3</sup> ]:			
400	683	1060	1380
Min./max. operating temperature. [°C]:			
5/80	5/80	5/80	5/80
Temp. resistant version up to 150° C [add to part number]:			
T3	T3	T3	T3
Piston diameter [mm]:			
63	63	63	63
Weight [kg]:			
10,8	14,12	by request	by request

All data measured at 6 bar.

Dimension A [mm]:			
140	160	260	260
Dimension B [mm]:			
125	165	215	265
Dimension L [mm]:			
185	265	365	465



See Page 87 for Accessory list.