

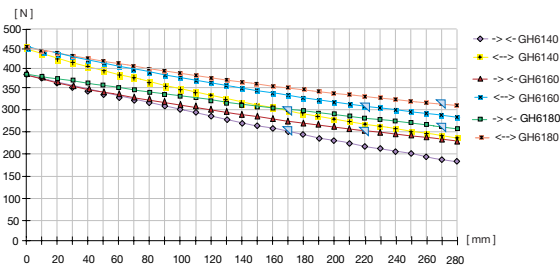
Parallel gripper			Three-jaw gripper	Angle gripper	Internal-hole gripper	Other grippers			Electric gripper			
GH6040	GH6060	GH6080	<b>GH6140</b>	<b>GH6160</b>	<b>GH6180</b>	GH6240	GH6460	GH64100	GH62100	GH6460	GH64100	Universal jaw



## Long-stroke gripper with T-slot guide

Advantages, benefits, comparisons and tips! Stacks of information all about this product are on page 87.

### Gripping force as a function of jaw length

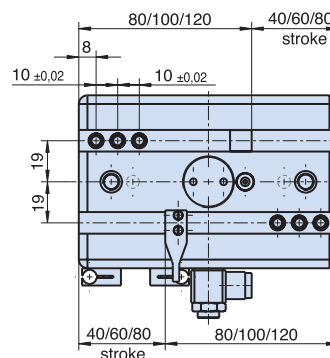
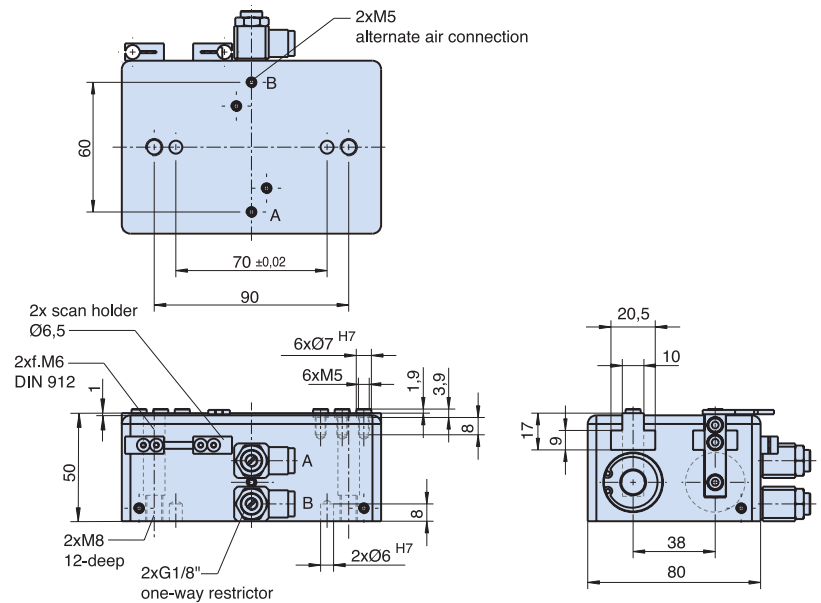
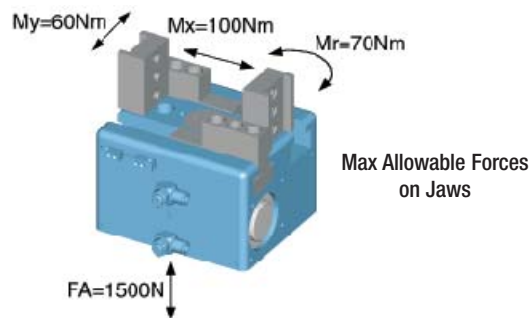


Colored area: increased wear and tear to be expected

Order no.:		
<b>GH6140</b>	<b>GH6160</b>	<b>GH6180</b>
Drive:		
pneum.	pneum.	pneum.
Stroke per jaw [mm]:		
40	60	80
Gripping force in closing [N]:		
370	370	370
Gripping force in opening [N]:		
455	455	455
Self-locking via:		
DSV1/8	DSV1/8	DSV1/8
Closing time/opening time [s]:		
0,3	0,35	0,4
Repeatability ± [mm]:		
0,05	0,05	0,05
Min./max. operating pressure [bar]:		
4 / 10	4 / 10	4 / 10
Air volume per cycle [cm³]:		
73	109	145
Min./max. operating temperature [°C]:		
5 / 80	5 / 80	5 / 80
Temp. resistant version up to 150° C [add to part number]:		
T	T	T
Piston diameter [mm]:		
25	25	25
Weight [kg]:		
1,50	1,90	2,30

All data measured at 6 bar.

See Page 87 for Accessory list.



Sommer-automatic
<b>Grippers</b>
Separators
Swivel units
Rotating jaws
Axial compensators
Tool changers
Linear cylinders
Shock absorbers
Rotary cylinders
Air vane motors
Vacuum components
Accessories
Quick finder