

Parallel gripper

Three-jaw gripper

Angle gripper

Internal-hole gripper

Other grippers

Electric gripper

GP78

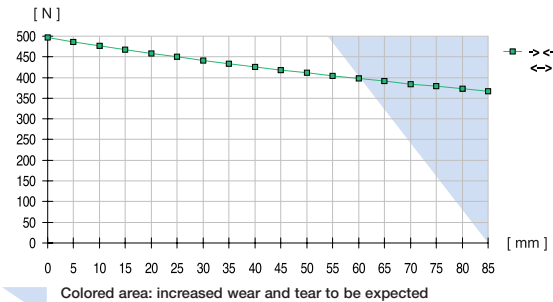
GP80

GP88

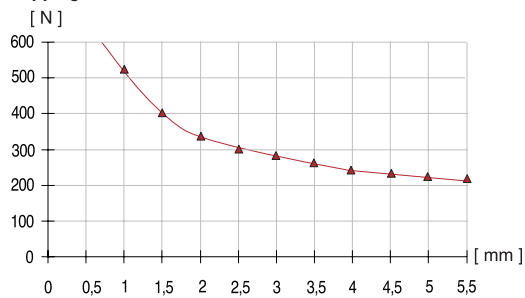
Parallel gripper with eccentric cam

Advantages, benefits, comparisons and tips! Stacks of information all about this product are on page 75.

Gripping force as a function of jaw length (measured at 1 mm before the end of the stroke)



Gripping force as a function of stroke



Before end of stroke

Order no.:			
GP80			
Drive:			
pneum.			
Stroke per jaw [mm]:			
6			
Gripping force in closing and opening [N]:			
500			
Self-locking via:			
mech.			
Closing time/opening time [s]:			
0,06			
Repeatability ± [mm]:			
0,05			
Min./max. operating pressure [bar]:			
3 / 8			
Air volume per cycle [cm³]:			
27			
Min./max. operating temperature [°C]:			
5 / 60			
Weight [kg]:			
0,828			

All data measured at 6 bar.

See Page 75 for Accessory list.



Sommer-automatic

Grippers

Separators

Swivel units

Rotating jaws

Axial compensators

Tool changers

Linear cylinders

Shock absorbers

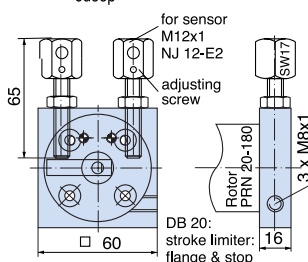
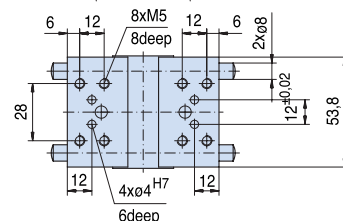
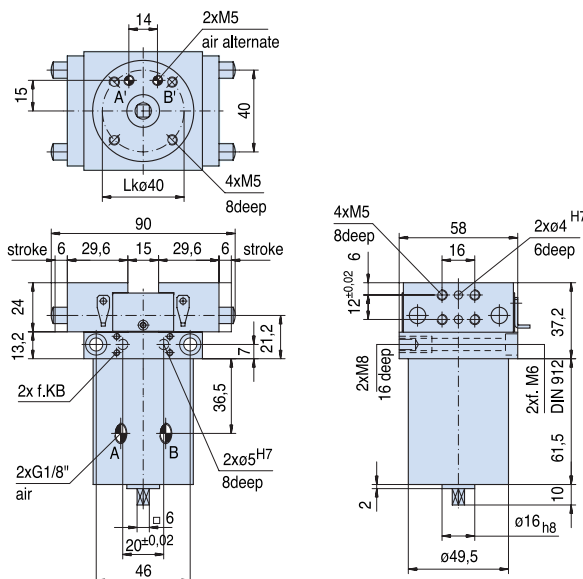
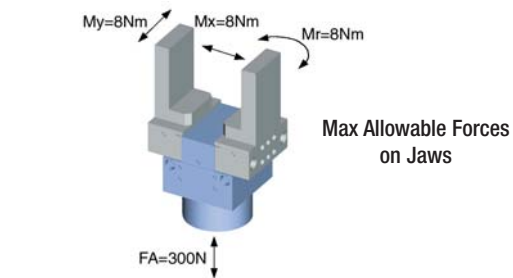
Rotary cylinders

Air vane motors

Vacuum components

Accessories

Quick finder



Position inquiry:

- Order no.: **DB20**
Rotation limiter with stop
- Order no.: **AI-M8x1-38**
Stop-Stroke adjusting screw
- Order no.: **NJ12-E2**
Proximity switch