

Parallel gripper

Three-jaw gripper

Angle gripper

Internal-hole gripper

Other grippers

Electric gripper

GP1224

GP1240

GP1260

GP1280

Universal jaw



Sommer-automatic

Grippers

Separators

Swivel units

Rotating jaws

Axial compensators

Tool changers

Linear cylinders

Shock absorbers

Rotary cylinders

Air vane motors

Vacuum components

Accessories

Quick finder

Universal jaw

for Parallel gripper
with sealed round guide

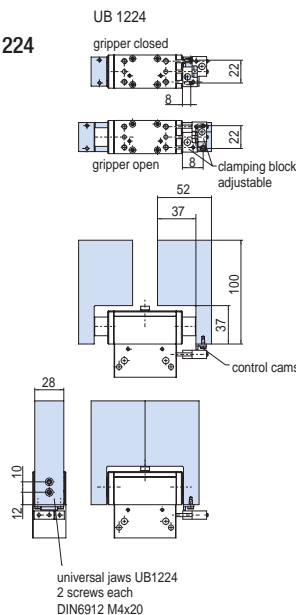
Aluminum or steel?

Universal jaws	Material	Addition to order
Standard version	Aluminum (AlCuMg1)	-
Special version	Steel (16MnCr5)	/ST

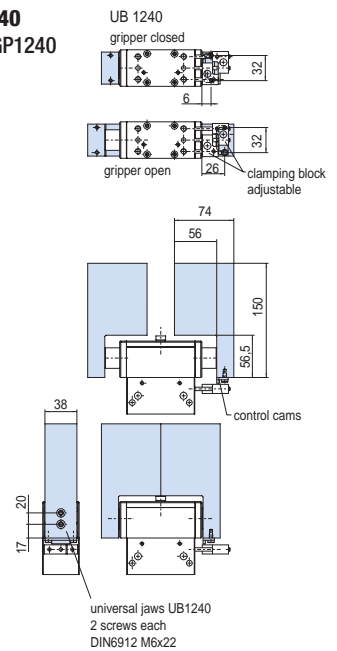
Or individual solutions?

Our universal jaws fit almost always and everywhere. If you need more individual solutions, give us a call

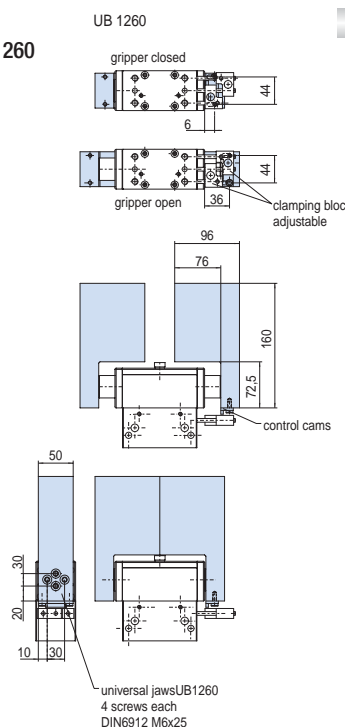
Order no.: UB1224
for gripper type GP1224



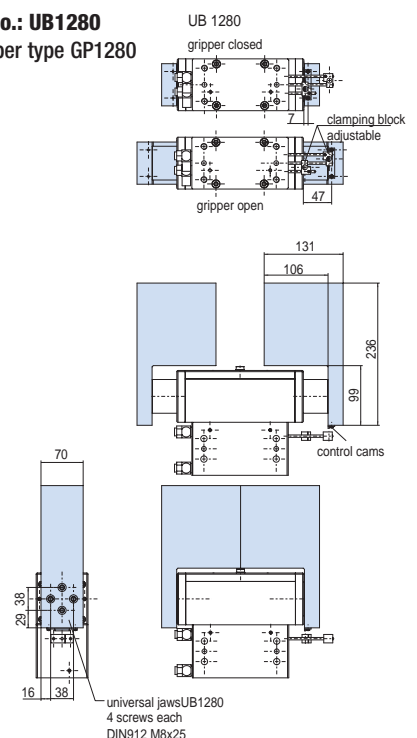
Order no.: UB1240
for gripper type GP1240



Order no.: UB1260
for gripper type GP1260



Order no.: UB1280
for gripper type GP1280



Save time!
Just give our universal jaws
the finishing touches.
That's all.

