

Parallel gripper

Three-jaw gripper

Angle gripper

Internal-hole gripper

Other grippers

Electric gripper

GP1803

GP1804

GP1806

GP1808

GP1810

GP1812

GP1816

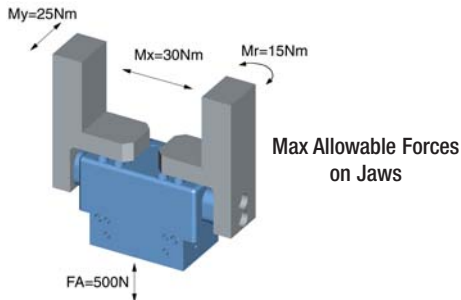
GP1820

GP1830

Universal Jaw



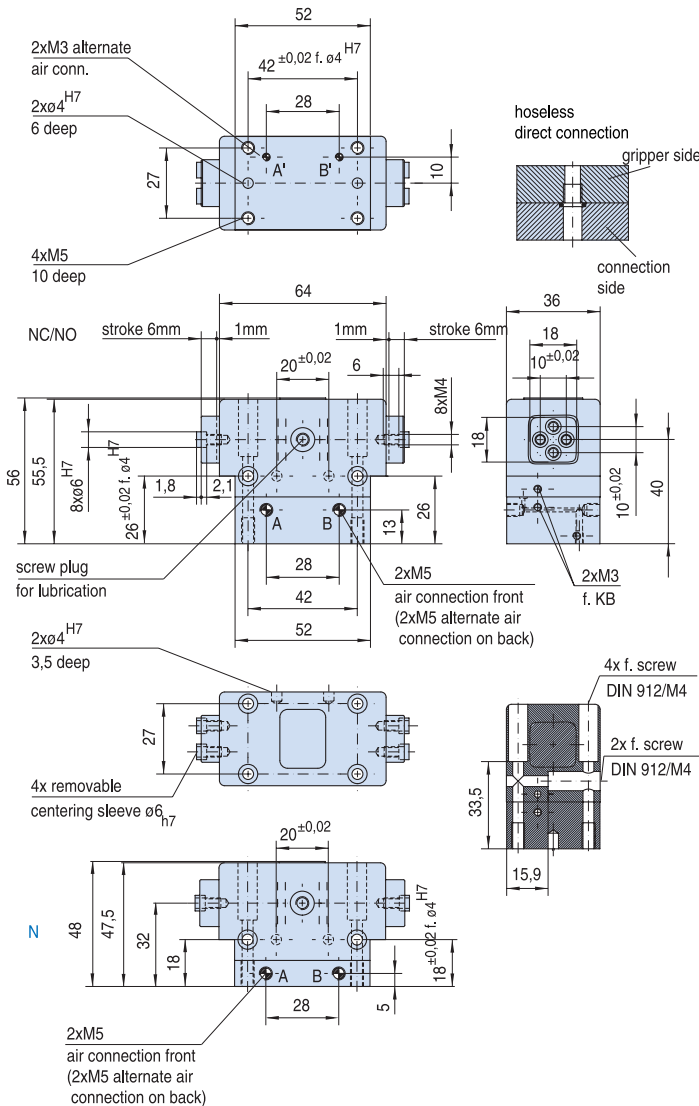
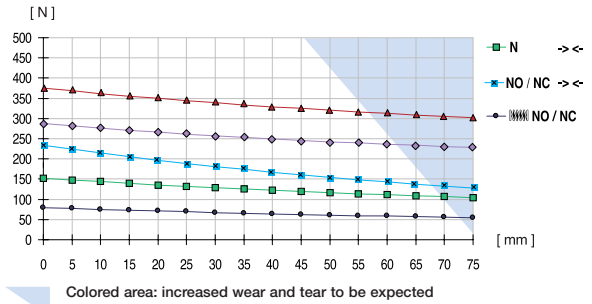
- Sommer-automatic
- Grippers**
- Separators
- Swivel units
- Rotating jaws
- Axial compensators
- Tool changers
- Linear cylinders
- Shock absorbers
- Rotary cylinders
- Air vane motors
- Vacuum components
- Accessories
- Quick finder



Parallel gripper
with sealed 4-sided guide

Advantages, benefits, comparisons and tips!
Stacks of information all about this product are
on page 35.

Gripping force as a function of jaw length



Order no.:		
GP1806 N	GP1806 NC	GP1806 NO
Drive:		
pneum.	pneum.	pneum.
Stroke per jaw [mm]:		
6	6	6
Gripping force in closing [N]:		
150	235	-
Gripping force in opening [N]:		
285	-	375
Self-locking via:		
DSV1/8	Spring	Spring
Closing time/opening time [s]:		
0,04	0,05	0,05
Repeatability ± [mm]:		
0,05	0,05	0,05
Min./max. operating pressure for closing [bar]:		
4 / 8	4 / 8	5 / 8
Min./max. operating pressure for opening [bar]:		
4 / 4	5 / 8	4 / 4
Air volume per cycle [cm³]:		
12	17	17
Min./max. operating temperature [°C]:		
5 / 80	5 / 80	5 / 80
Temp. resistant version up to 150° C [add to part number]:		
T3	T3	T3
Piston diameter [mm]:		
25	25	25
Weight [kg]:		
0,4	0,6	0,6

All data measured at 6 bar.

See Page 35 for Accessory list.