

Parallel gripper Three-jaw gripper Angle gripper Internal-hole gripper Other grippers Electric gripper

GP1803	GP1804	GP1806	GP1808	GP1810	GP1812	GP1816	GP1820	GP1830	Universal Jaw
--------	---------------	--------	--------	--------	--------	--------	--------	--------	---------------

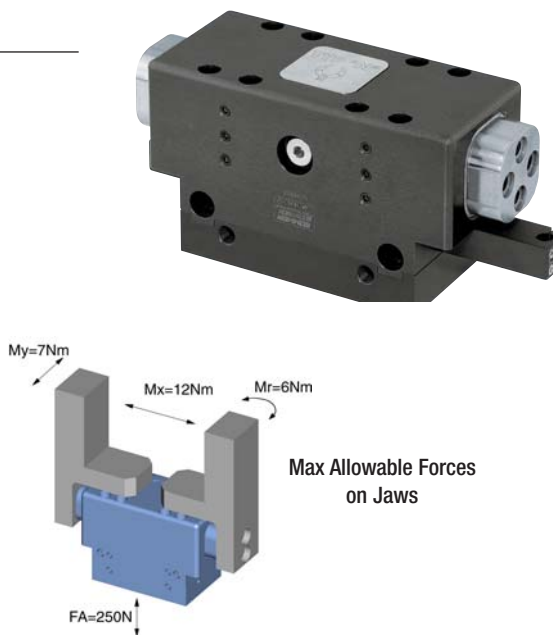
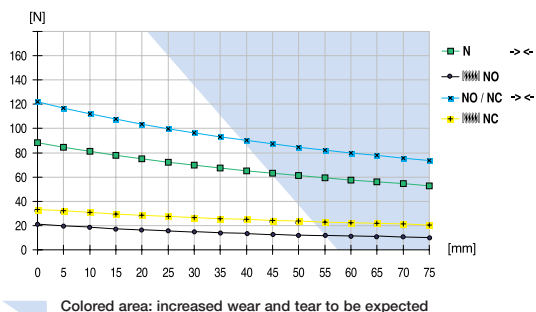


Parallel gripper

with sealed 4-sided guide

Advantages, benefits, comparisons and tips! Stacks of information all about this product are on page 35.

Gripping force as a function of jaw length



Sommer-automatic
Grippers
Separators
Swivel units
Rotating jaws
Axial compensators
Tool changers
Linear cylinders
Shock absorbers
Rotary cylinders
Air vane motors
Vacuum components
Accessories
Quick finder

Order no.:		
GP1804 N	GP1804 NC	GP1804 NO
Drive:		
pneum.	pneum.	pneum.
Stroke per jaw [mm]:		
4	4	4
Gripping force in closing [N]:		
90	122	-
Gripping force in opening [N]:		
115	-	150
Self-locking via:		
DSV1/8	Spring	Spring
Closing time/opening time [s]:		
0,03	0,04	0,04
Repeatability ± [mm]:		
0,05	0,05	0,05
Min./max. operating pressure for closing [bar]:		
4 / 8	4 / 8	5 / 8
Min./max. operating pressure for opening [bar]:		
4 / 4	5 / 8	4 / 4
Air volume per cycle [cm³]:		
4	5	5
Min./max. operating temperature [°C]:		
5 / 80	5 / 80	5 / 80
Temp. resistant version up to 150° C [add to part number]:		
T3	T3	T3
Piston diameter [mm]:		
20	20	20
Weight [kg]:		
0,16	0,18	0,18

All data measured at 6 bar.

See Page 35 for Accessory list.

