

Parallel gripper

Three-jaw gripper

Angle gripper

Internal-hole gripper

Other grippers

Electric gripper

GP604

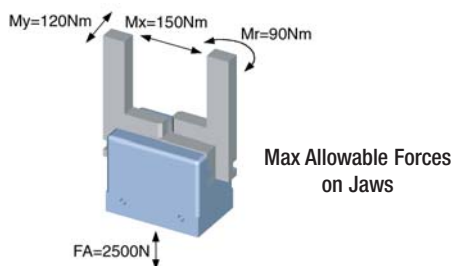
GP608

GP612

Universal jaw



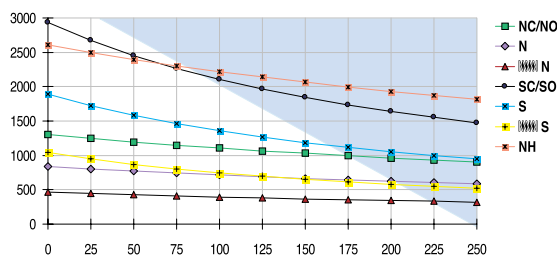
- Sommer-automatic
- Grippers**
- Separators
- Swivel units
- Rotating jaws
- Axial compensators
- Tool changers
- Linear cylinders
- Shock absorbers
- Rotary cylinders
- Air vane motors
- Vacuum components
- Accessories
- Quick finder



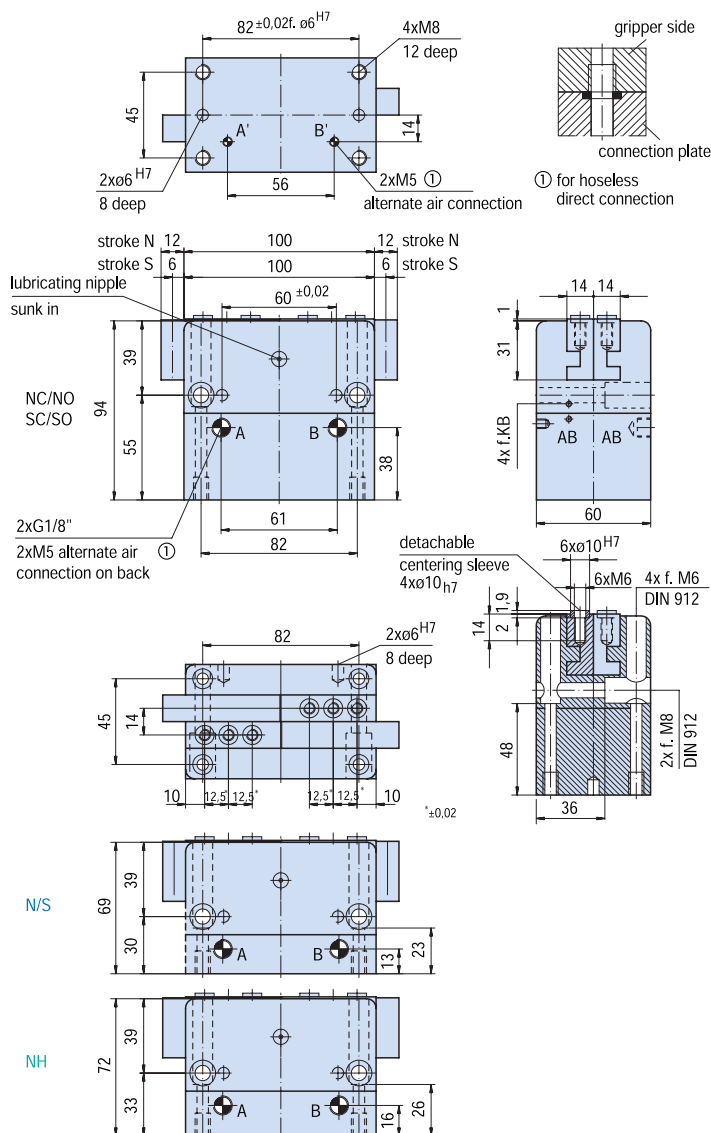
Parallel gripper with extended T-slot

Advantages, benefits, comparisons and tips! Stacks of information all about this product are on page 29.

Gripping force as a function of jaw length



Colored area: increased wear and tear to be expected



Order no.:						
GP612 N	GP612 NC	GP612 NO	GP612 S	GP612 SC	GP612 SO	GP612 NH
Drive:						
pneum	pneum	pneum	pneum	pneum	pneum	hydr.
Stroke per jaw [mm]:						
12	12	12	6	6	6	12
Gripping force in closing and opening [N]:						
900	-	-	1900	-	-	2650
Gripping force in closing [N]:						
-	1300	-	-	2950	-	-
Gripping force in opening [N]:						
-	-	1300	-	-	2950	-
Self-locking via:						
DSV1/8	Spring	Spring	DSV1/8	Spring	Spring	-
Closing time/opening time [s]:						
0,08	0,1	0,1	0,08	0,1	0,1	0,5
Repeatability ± [mm]:						
0,025	0,025	0,025	0,025	0,025	0,025	0,025
Min./max. operating pressure [bar]:						
3 / 8	5 / 8	5 / 8	3 / 8	5 / 8	5 / 8	10 / 40
Air volume per cycle [cm³]:						
53	100	100	53	100	100	-
Oil volume per cycle [cm³]:						
-	-	-	-	-	-	34
Min./max. operating temperature [°C]:						
5 / 80	5 / 80	5 / 80	5 / 80	5 / 80	5 / 80	5 / 80
Temp. resistant version up to 150° C [add to part number]:						
T2	T2	T2	T2	T2	T2	T2
Piston diameter [mm]:						
50	50	50	50	50	50	40
Weight [kg]:						
1,6	1,8	1,8	1,6	1,8	1,8	1,53

All data measured at 6 bar (hydr. 30 bar).

See Page 17 for Accessory list.