

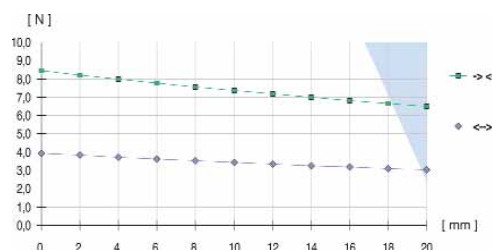
Parallel Gripper - with Roller Guides

Next Page ►



Gripping-force diagram

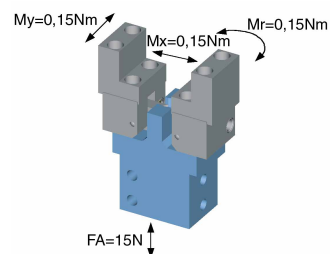
Gripping force as function of jaw length.



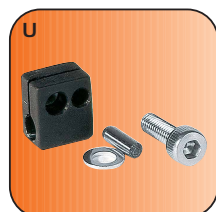
Colored area: increased wear or tear to be expected.

Forces and moments

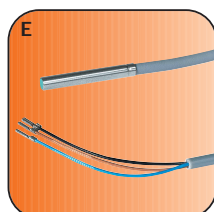
Max. allowable static forces and moments.



Recommended accessories



Proximity switch bracket
Part No. KB3M



Proximity switch
Part No. NJ3-E2/03



Compressed air fittings
(Angled)
Part No. WVM3



Compressed air fittings
(Straight)
Part No. GVM3



Centering disc
Part No. ZE10H7x6



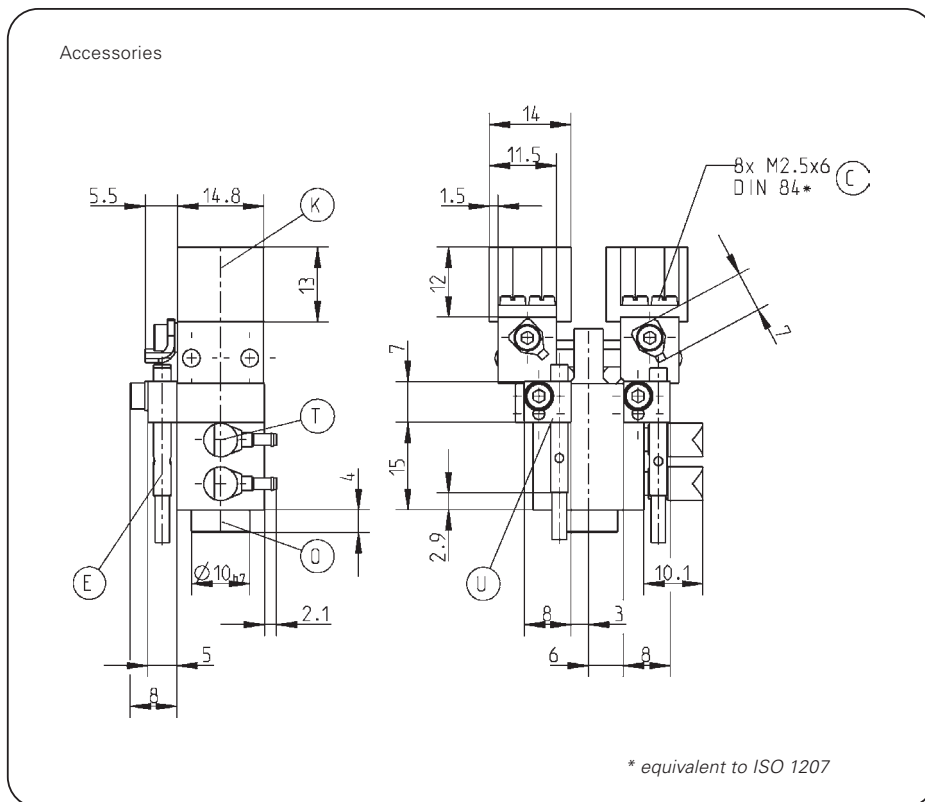
Universal jaw set
Part No. UB12 (Al)



Connector 3-plug
Part No. S12-G-3



Pressure safety valve/
one-way valve
Part No. DSV1/8





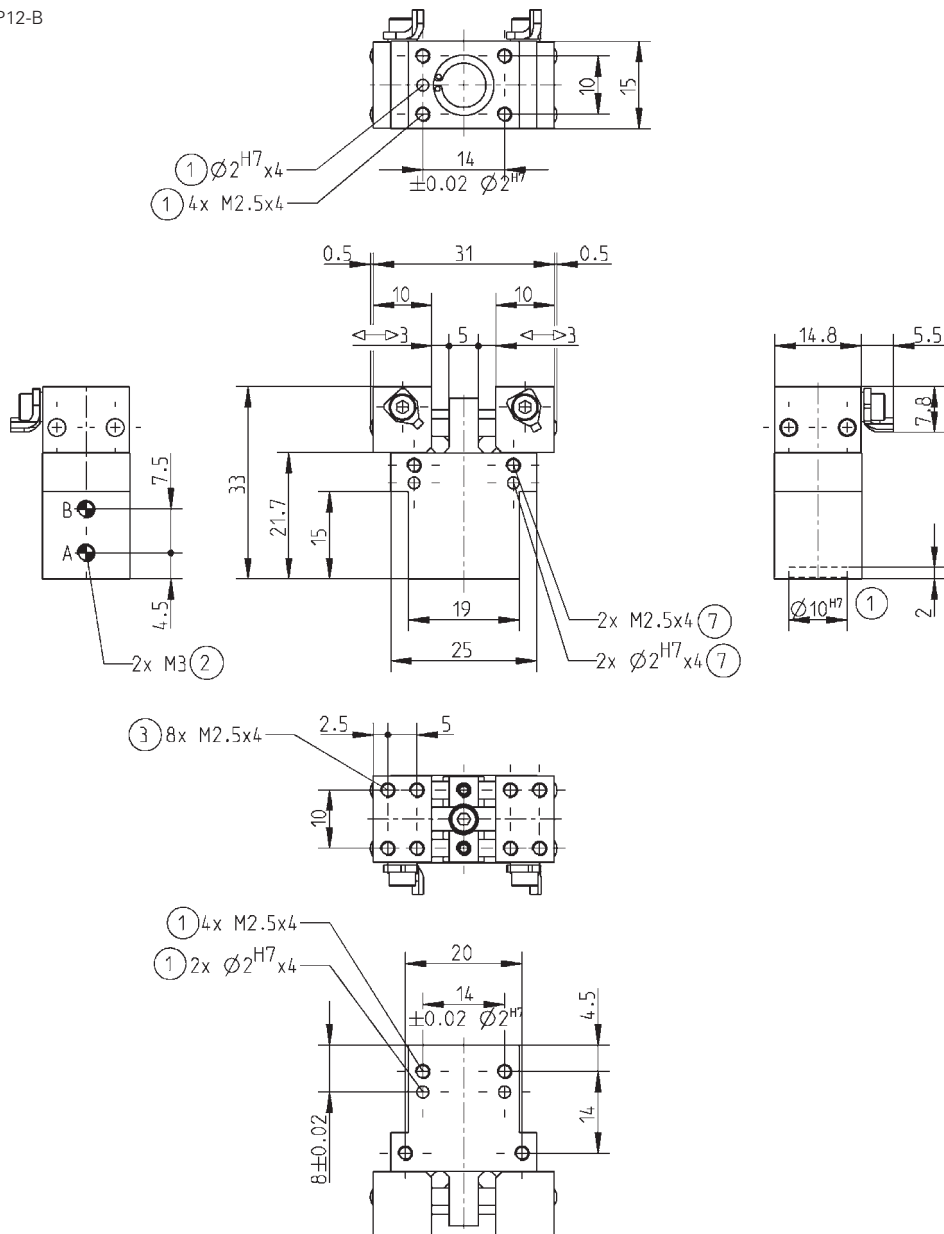
Order No.:	GP12-B
Stroke per jaw [mm]:	3
Gripping force in closing [N]:	8.04
Gripping force in opening [N]:	4
Max. suggested workpiece weight [g]*:	20
Gripping force secured by spring min./max. [N]:	-
Closing time/opening time [s]:	0.02
Repeatability +/- [mm]:	0.05
Operating pressure min./max. [bar]:	3/8
Operating temperature min./max. [°C]**:	5/80
Air volume per cycle [cm³]:	0.4
Weight [g]:	33

All data measured at 6 bar

* Value determined with friction coefficient $\mu = 0.1$ and safety factor $\nu = 2$

** High-temperature-resistant model (up to 150° C) add "T" to part number

GP12-B



- ① Gripper mounting
- ② Power supply
- ③ Jaw fastening
- ⑦ Mounting for proximity switch bracket
- Ⓐ Air connection (closing)
- Ⓑ Air connection (opening)