

Electric parallel gripper

GEP1402 up to GEP1606



things worth knowing

Advantages and uses

... robust T-slot guide (GEP14...) or sealed round guide (GEP16...) ...
 ... uncomplicated startup ... with grip force safety device ...

- ▶ high reliability and long service life
 - ▶ compact design and minimal weight
 - ▶ centrally opening and closing
 - ▶ high precision
 - ▶ includes 24V DC control electronics (12V DC available)
 - ▶ any desired installation position
 - ▶ protection type IP67

... power adjustable via potentiometer!

- Sommer-automatic
- Grippers**
- Separators
- Swivel units
- Rotating jaws
- Axial compensators
- Tool changers
- Linear cylinders
- Shock absorbers
- Rotary cylinders
- Air vane motors
- Vacuum components
- Accessories
- Quick finder

Characteristics

Function

Drive:	Electric drive motor
Power transfer:	Curved washer
Guide:	GEP14... T-groove guide GEP16... sealed round guide

Material

Housing:	hard-anodized aluminum
Functional parts:	nitrided steel

Maintenance:

Recommended at:	1.5 million cycles
Actuation:	24V DC or 12V DC (optional)
Maintenance of the mechanics:	– see owners' manual –

Basic explanations

Terms and illustrations

Grip force safety device:	required during energy loss for maintaining position of workpiece
– mechanical and electric:	through short-circuit switching in combination with high gear transmission
Total power:	arithmetic sum of the individual elements on the gripper jaws
Closing and opening times:	required time for the gripper jaws to cover the maximum stroke length
Schematic:	displays static forces and momenta that can additionally affect grip force
Max. operating temperature:	sum of motor and environmental temperatures

Models

GEP...	Guide	External gripping	Internal gripping
...14...	T-groove guide		
...16...	sealed round guide		
...C		•	
...0			•

Accessories

Included in purchase price:

- ▶ Centering sleeves

Accessory recommendation:

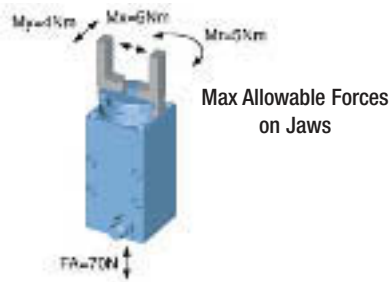
- ▶ Connection cables

Parallel gripper Three-jaw gripper Angle gripper Internal-hole gripper Other grippers **Electric gripper**

GEP1402 GEP1406 GEP1602 GEP1606



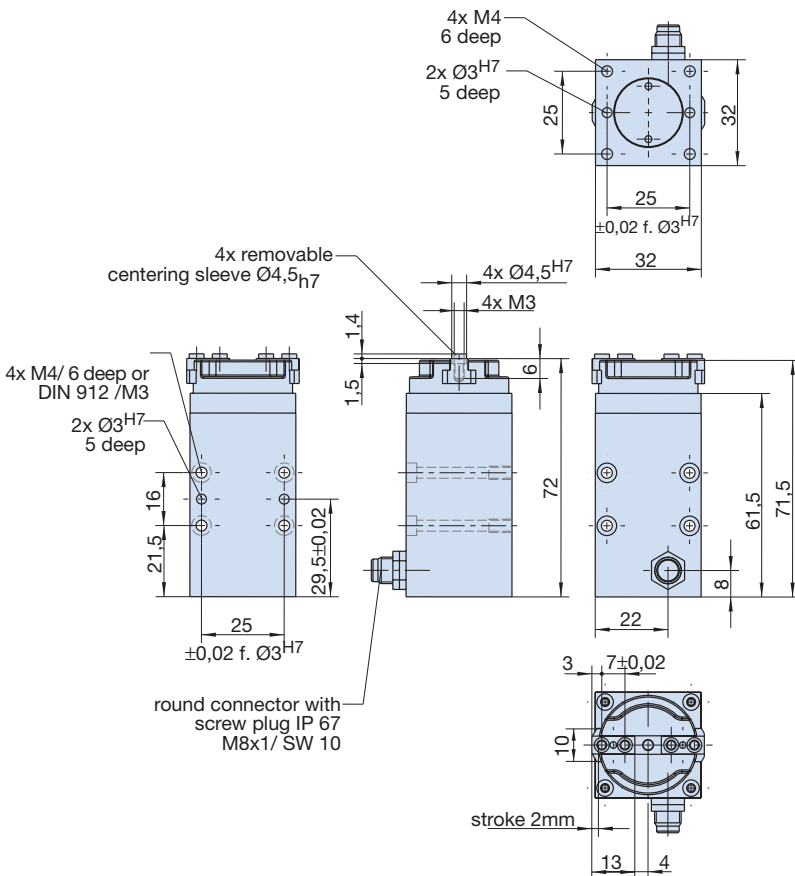
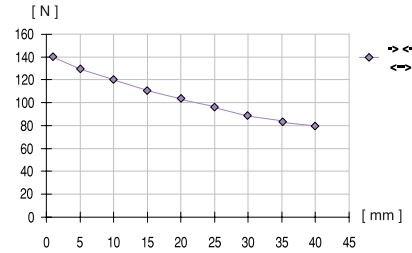
Sommer-automatic
Grippers
Separators
Swivel units
Rotating jaws
Axial compensators
Tool changers
Linear cylinders
Shock absorbers
Rotary cylinders
Air vane motors
Vacuum components
Accessories
Quick finder



Electric parallel gripper with T-slot guide

Advantages, benefits, comparisons and tips! Stacks of information all about this product are on page 183.

Gripping force as a function of jaw length



Order no.:				
GEP1402				
Drive:				
Electr.				
Stroke per jaw [mm]:				
2				
Gripping force in closing (adjustable) [N]:				
140				
Gripping force in opening (adjustable) [N]:				
140				
Self-locking via:				
mech. + el.				
Closing time/opening time [s]:				
0,2				
Repeatability ± [mm]:				
0,02				
Voltage [V DC]**:				
24				
Current max. adjustable via potentiometer [mA]:				
140				
Min./max. operating temperature [°C]:				
5/80				
Weight [kg]:				
0,3				

All data measured at 140 mA.

**Voltage 12 Volt by request.

See Page 183 for Accessory list.

DIN Rail Mountable Controller Included!

Power supply required

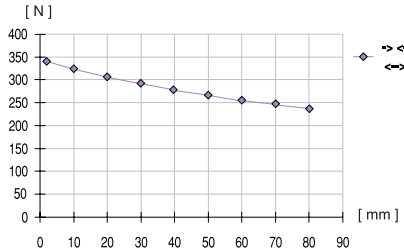
Parallel gripper	Three-jaw gripper	Angle gripper	Internal-hole gripper	Other grippers	Electric gripper
GEP1402	GEP1406	GEP1602	GEP1606		



Electric parallel gripper with T-slot guide

Advantages, benefits, comparisons and tips! Stacks of information all about this product are on page 183.

Gripping force as a function of jaw length



Order no.:	
GEP1406 C	GEP1406 O
Drive:	
Electr.	Electr.
Stroke per jaw [mm]:	
6	6
Gripping force in closing (adjustable) [N]*:	
350	-
Gripping force in opening (adjustable) [N]*:	
-	350
Self-locking via:	
mech. + el.	mech. + el.
Closing time/opening time [s]:	
0,2	0,2
Repeatability ± [mm]:	
0,02	0,02
Voltage [V DC]**:	
24	24
Current max. adjustable via potentiometer [mA]:	
210	210
Min./max. operating temperature [°C]:	
5/80	5/80
Weight [kg]:	
1,0	1,0

All data measured at 210 mA.

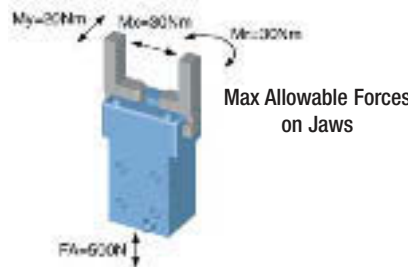
* measured in power stroke at 2 mm before the end of the stroke

** Voltage 12 Volt by request

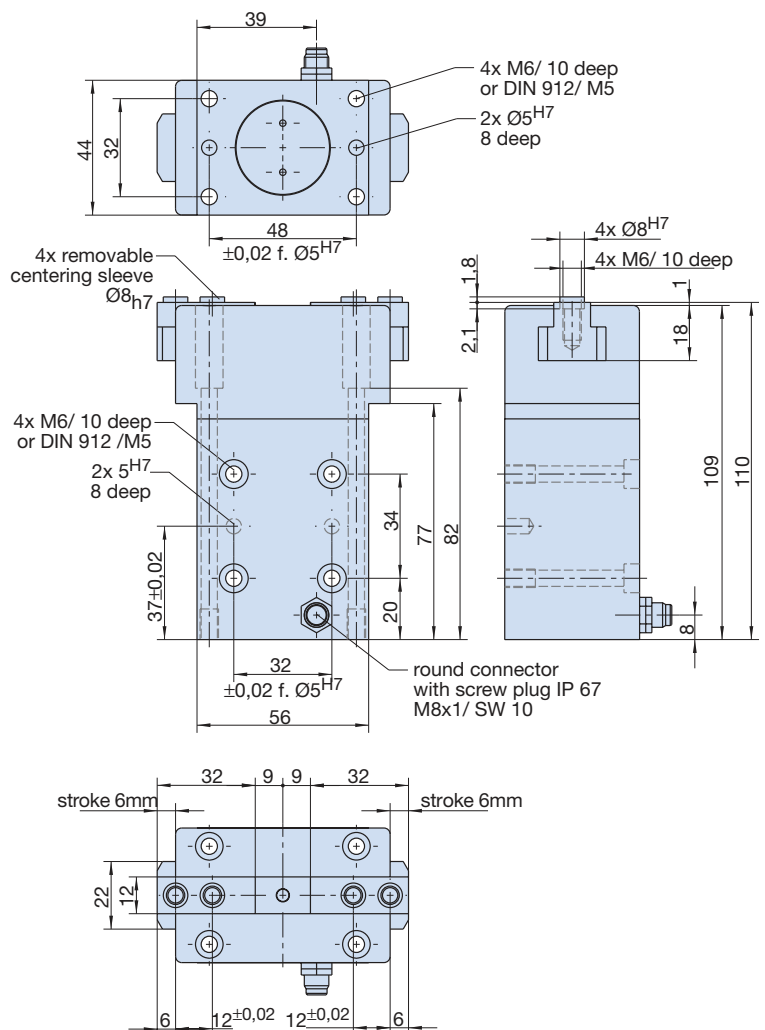
See Page 183 for Accessory list.

DIN Rail Mountable Controller Included!

Power supply required



Sommer-automatic
Grippers
Separators
Swivel units
Rotating jaws
Axial compensators
Tool changers
Linear cylinders
Shock absorbers
Rotary cylinders
Air vane motors
Vacuum components
Accessories
Quick finder

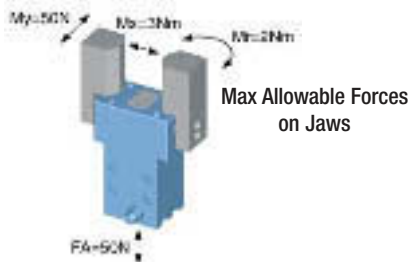


Parallel gripper Three-jaw gripper Angle gripper Internal-hole gripper Other grippers **Electric gripper**

GEP1402 GEP1406 **GEP1602** GEP1606



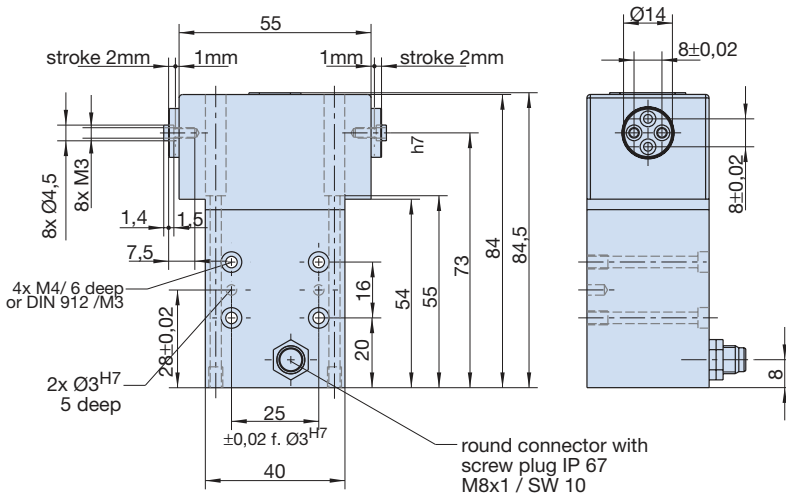
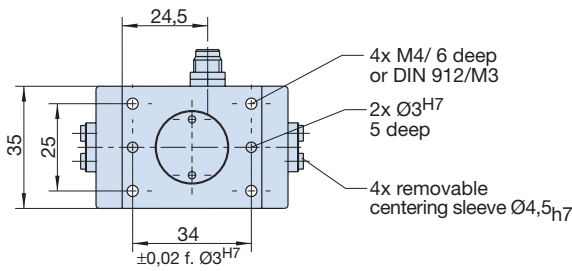
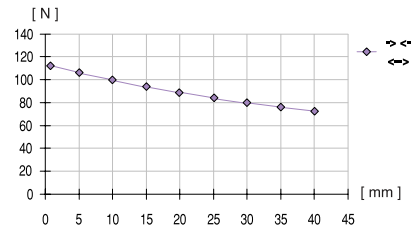
- Sommer-automatic
- Grippers**
- Separators
- Swivel units
- Rotating jaws
- Axial compensators
- Tool changers
- Linear cylinders
- Shock absorbers
- Rotary cylinders
- Air vane motors
- Vacuum components
- Accessories
- Quick finder



Electric parallel gripper with sealed round guide

Advantages, benefits, comparisons and tips! Stacks of information all about this product are on page 183.

Gripping force as a function of jaw length



Order no.:	GEP1602			
Drive:	Electr.			
Stroke per jaw [mm]:	2			
Gripping force in closing (adjustable) [N]:	115			
Gripping force in opening (adjustable) [N]:	115			
Self-locking via:	mech. + el.			
Closing time/opening time [s]:	0,2			
Repeatability \pm [mm]:	0,02			
Voltage [V DC]**:	24			
Current max. adjustable via potentiometer [mA]:	140			
Min./max. operating temperature [°C]:	5/80			
Weight [kg]:	0,300			

All data measured at 140 mA.

** Voltage 12 Volt by request.

See Page 183 for Accessory list.

DIN Rail Mountable Controller Included!

Power supply required

Parallel gripper		Three-jaw gripper		Angle gripper	Internal-hole gripper	Other grippers	Electric gripper
GEP1402	GEP1406	GEP1602	GEP1606				

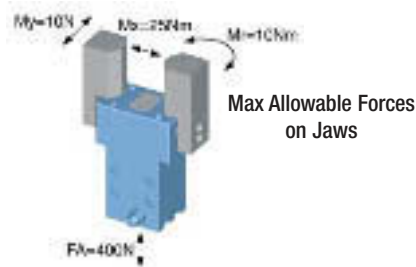
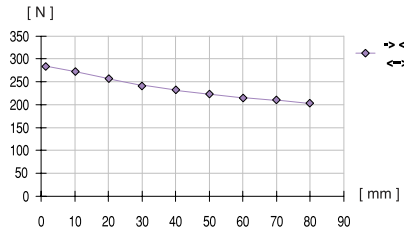


Electric parallel gripper

with sealed round guide

Advantages, benefits, comparisons and tips!
Stacks of information all about this product are on page 183.

Gripping force as a function of jaw length



Sommer-automatic
Grippers
Separators
Swivel units
Rotating jaws
Axial compensators
Tool changers
Linear cylinders
Shock absorbers
Rotary cylinders
Air vane motors
Vacuum components
Accessories
Quick finder

Order no.:	
GEP1606	GEP1606
C	O
Drive:	
Electr.	Electr.
Stroke per jaw [mm]:	
6	6
Gripping force in closing (adjustable) [N]*:	
280	-
Gripping force in opening (adjustable) [N]*:	
-	280
Self-locking via:	
mech. + el.	mech. + el.
Closing time/opening time [s]:	
0,2	0,2
Repeatability ± [mm]:	
0,02	0,02
Voltage [V DC]**:	
24	24
Current max. adjustable via potentiometer [mA]:	
210	210
Min./max. operating temperature [°C]:	
5/80	5/80
Weight [kg]:	
1,500	1,500

All data measured at 210 mA.
* measured in power stroke at 2 mm before the end of the stroke
** Voltage 12 Volt by request.

See Page 183 for Accessory list.

DIN Rail Mountable Controller Included!

Power supply required

