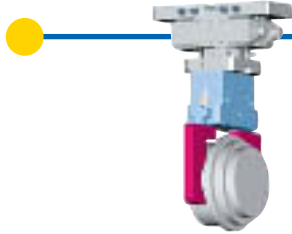
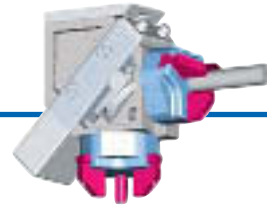


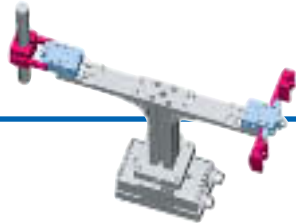
Gripper guide



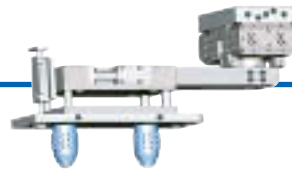
Parallel grippers
from page 15



Three-jaw grippers
from page 101



Angle grippers
from page 141

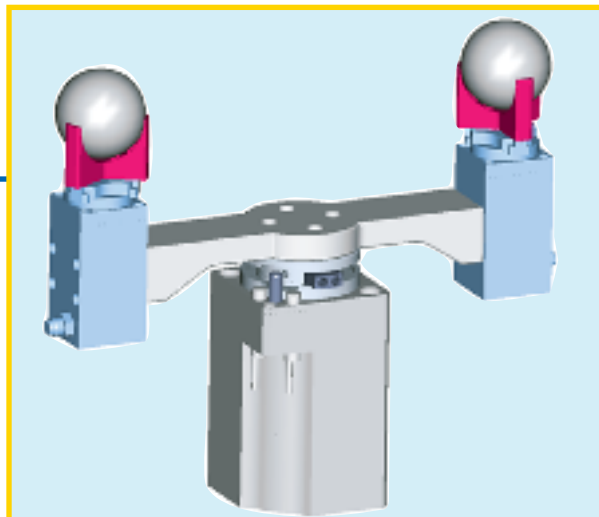


Internal-hole grippers
from page 163



Other grippers
from page 169

Electric grippers
Parallel grippers from page 183
Three-jaw grippers from p. 189



Electric gripper

Electric parallel gripper

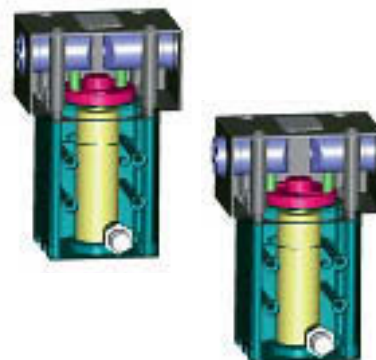
Product information about ...	183
GEP1402	184
GEP1406C	185
GEP14060	185
GEP1602	186
GEP1606C	187
GEP16060	187

Electric Long-stroke gripper

Product information about ...	187.1
GEH6140N	187.2
GEH61400	187.2

Electric Three-jaw gripper

Product information about ...	189
GED1302	190
GED1306C	191
GED13060	191
GED1502	192
GED1506C	193
GED15060	193



When You're Out of Air, You're Not Out of Luck!

We have a special line of electric grippers: T-slot 2-jaw, Round Guide 2-jaw, T-slot 3-jaw and the Round Guide 3-jaw. We offer a selection of parallel and 3-jaw grippers that don't require any air for operation, only our electronic controller, and we even include this with our grippers. All you supply is 12V DC or 24V DC. No air, no dirt, no problem!

Ideal for clean room or any room where air is not allowed.

