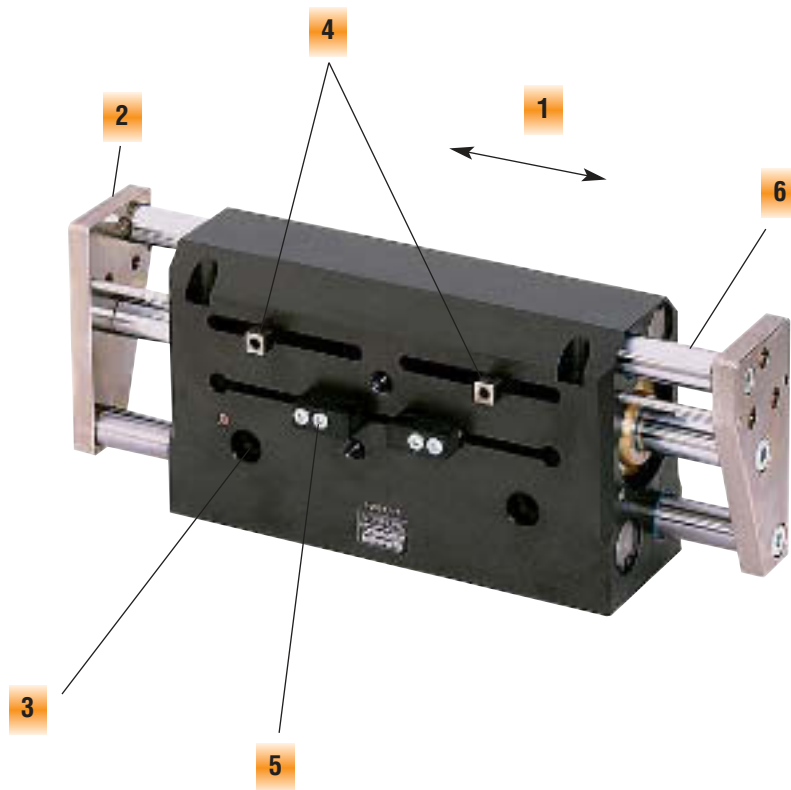


Long-stroke gripper

with sealed round guide



Features

- 1 Stroke
- 2 Jaws
- 3 Air connection
- 4 Trip dogs
- 5 Sensor mount
- 6 Sealed guide rods

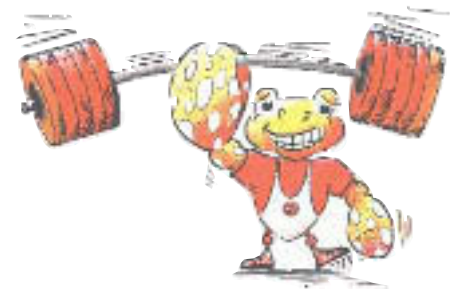
Synchronized gripping...

Two cylinders attached to the jaws are synchronized by two racks and one pinion. The rack also serves as a guide. They are equipped with guide shafts to prevent rotation. In addition, the units are sealed against outside moisture and contaminants.

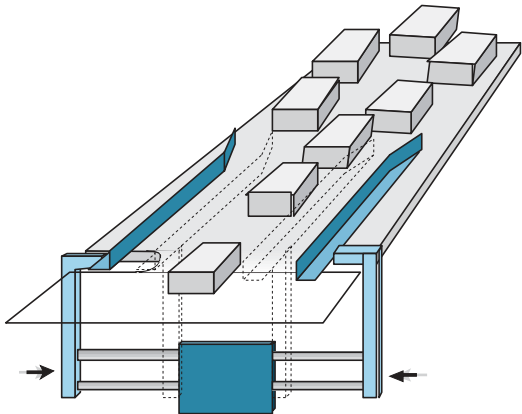
Sensor brackets are provided for attaching proximity switches which can be used for sensing the opened and closed positions. The brackets accommodate an 8 mm

diameter inductive proximity switch - see accessories.

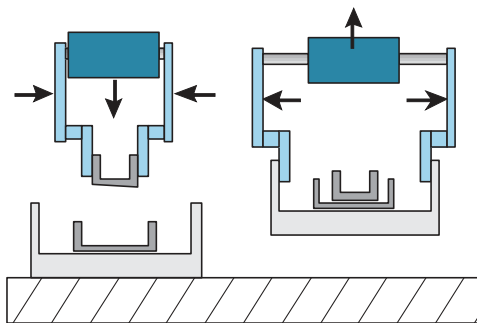
The air connections for the double-acting cylinders are combined so that only two air connections are necessary. These are located at the front on the GH5230 and GH5260.



Application Ideas



Parts which may have been laid at random on a conveyor belt can be pushed by the gripper to the middle to a properly centered position.



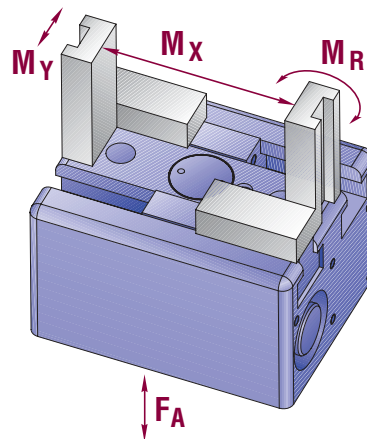
Because of its long stroke and compact design, this gripper can handle a wide range of part shapes and sizes without having to change jaws.

Operation

Two double-acting pneumatic cylinders close and open the jaws in parallel. The jaws are synchronized by a pinion and two racks attached to the cylinders. An additional two guide shafts secure against rotation and give more guiding stability.

Schematic...

On every product page, you will find the following schematic which helps describe the max allowable forces and movements for that particular model.



Long-stroke gripper with sealed round guide GH5230/GH5260



things worth knowing

Advantages and uses

... high-grip force, combined with long stroke ... sealed round guide
... economic with high reliability and long service life ...



... it can do almost anything! ...

- ▶ high precision
 - ▶ compact design and minimal weight
 - ▶ centrally opening and closing
 - ▶ any desired installation position
 - ▶ position sensing possible through inductive proximity switch

- Sommer-automatic
- Grippers
- Separators
- Swivel units
- Rotating jaws
- Axial compensators
- Tool changers
- Linear cylinders
- Shock absorbers
- Rotary cylinders
- Air vane motors
- Vacuum components
- Accessories
- Quick finder

Characteristics

Function

Drive: two double-acting pneumatic cylinders
Power transfer: through synchronized rack-and-pinion drive
Guide: triple-sealed round guide

Material

Housing: hard-anodized aluminum
Moving parts: nitrided steel
Guide rods: steel, chrome-plated, polished

Maintenance

Recommended at: 1.5 million cycles
Actuation: filtered high-pressure air (10µm), dry or oiled
Maintenance of the mechanics: via integrated lock screw – see owners' manual –

Basic explanations

Terms and illustrations

Grip force safety device: required during pressure loss for maintaining position of workpiece
– pneumatic: through pressure retention (one way valve required DSV 1/8)
Total power: arithmetic sum of the individual elements on the gripper jaws
Closing and opening times: required time for the gripper jaws to cover the maximum stroke length

Accessories

Included with purchase:

- ▶ Centering sleeves
- ▶ Bracket for inductive proximity switch

Accessory recommendation:

- ▶ Inductive proximity switch Page 428
- ▶ Pneumatic fittings Page 442
- ▶ Tubing Page 444
- ▶ Control valves Page 445
- ▶ Pressure safety valves Page 447



Parallel gripper

Three-jaw gripper

Angle gripper

Internal-hole gripper

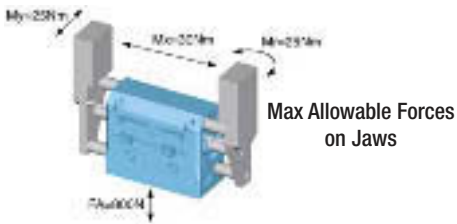
Other grippers

Electric gripper

GH5230 GH5260



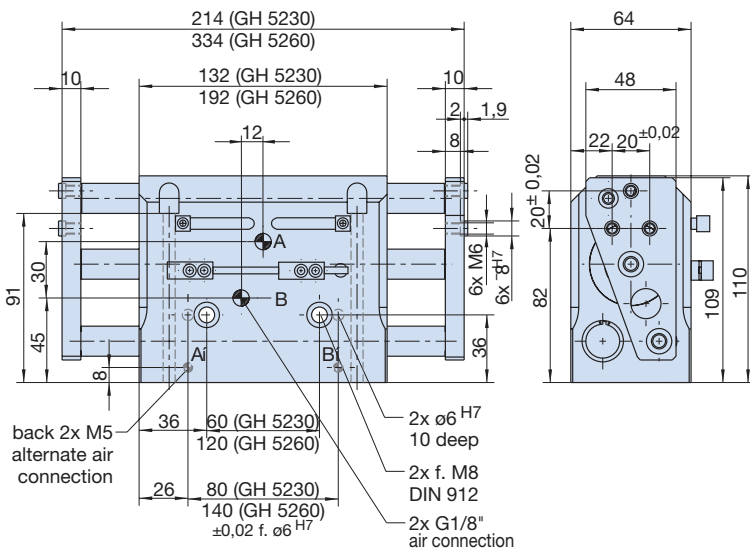
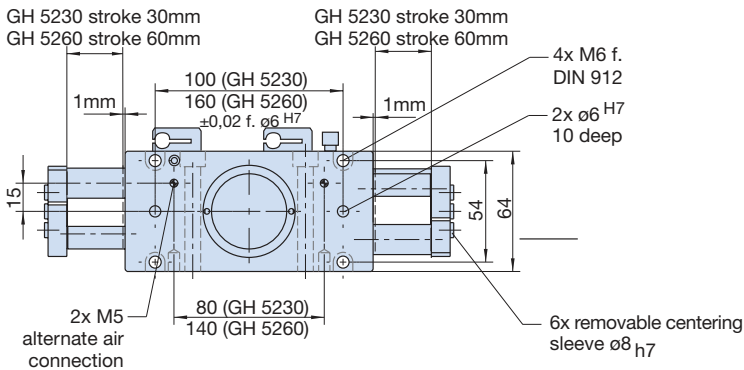
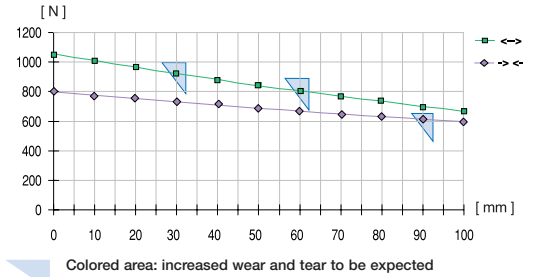
- Sommer-automatic
- Grippers**
- Separators
- Swivel units
- Rotating jaws
- Axial compensators
- Tool changers
- Linear cylinders
- Shock absorbers
- Rotary cylinders
- Air vane motors
- Vacuum components
- Accessories
- Quick finder



Long-stroke gripper with sealed round guide

Advantages, benefits, comparisons and tips! Stacks of information all about this product are on page 93.

Gripping force as a function of jaw length



GH 5230
GH 5260

Order no.:					
GH5230	GH5260				
Drive:					
pneum.	pneum.				
Stroke per jaw [mm]:					
30	60				
Gripping force in opening [N]:					
800	800				
Gripping force in closing [N]:					
1050	1050				
Self-locking via:					
DSV1/8	DSV1/8				
Closing time/opening time [s]:					
0,3	0,5				
Repeatability ± [mm]:					
0,05	0,05				
Min./max. operating pressure [bar]:					
4 / 10	4 / 10				
Air volume per cycle [cm ³]:					
140	280				
Min./max. operating temperature [°C]:					
5 / 80	5 / 80				
Temp. resistant version up to 150° C [add to part number]:					
T3	T3				
Piston diameter [mm]:					
40	40				
Weight [kg]:					
3,3	4,6				

All data measured at 6 bar.

See Page 93 for Accessory list.