

Parallel gripper

Parallel gripper with T-slot guide

Product information page ...	16.1
GP403N	18
GP403NC	18
GP403NO	18
GP404N	19
GP404NC	19
GP404NO	19
GP404S	19
GP404SC	19
GP404SO	19
GP406N	20
GP406NC	20
GP406NO	20
GP406S	20
GP406SC	20
GP406SO	20
GP408N	21
GP408NC	21
GP408NO	21
GP408S	21
GP408SC	21
GP408SO	21
GP408NH	21
GP410N	22
GP410NC	22
GP410NO	22
GP410S	22
GP410SC	22
GP410SO	22
GP410NH	22
GP412N	23
GP412NC	23
GP412NO	23
GP412S	23
GP412SC	23
GP412SO	23
GP412NH	23
GP416N	24
GP416NC	24
GP416NO	24
GP416S	24
GP416SC	24
GP416SO	24
GP416NH	24
GP420N	25
GP420NC	25
GP420NO	25
GP420S	25
GP420SC	25
GP420SO	25
GP420NH	25
GP430N	26
GP430NC	26
GP430NO	26
GP430S	26
GP430SC	26
GP430SO	26
GP430NH	26
Universal jaws	
UB403	27
UB404	27
UB406	27

UB408	27
UB410	27
UB412	27
UB416	27
UB420	27
UB430	27

Parallel gripper with extended T-slot guide

Product information page ...	28.1
GP604N	30
GP604NC	30
GP604NO	30
GP604S	30
GP604SC	30
GP604SO	30
GP608N	31
GP608NC	31
GP608NO	31
GP608S	31
GP608SC	31
GP608SO	31
GP608NH	31
GP612N	32
GP612NC	32
GP612NO	32
GP612S	32
GP612SC	32
GP612SO	32
GP612NH	32
Universal jaws	
UB604	33
UB608	33
UB612	33

Parallel gripper with sealed 4-sided guides

Product information page ...	34.1
GP1803N	36
GP1803NC	36
GP1803NO	36
GP1804N	37
GP1804NC	37
GP1804NO	37
GP1806N	38
GP1806NC	38
GP1806NO	38
GP1808N	39
GP1808NC	39
GP1808NO	39
GP1808NH	39
GP1810N	40
GP1810NC	40
GP1810NO	40
GP1810NH	40
GP1812N	41
GP1812NC	41
GP1812NO	41
GP1812NH	41
GP1816N	42
GP1816NC	42
GP1816NO	42
GP1816NH	42
GP1820N	43
GP1820NC	43
GP1820NO	43
GP1820NH	43
GP1830N	44

GP1830NC	44
GP1830NO	44
GP1830NH	44
Universal jaws	
UB803	45
UB804	45
UB806	45
UB808	45
UB810	45
UB812	45
UB816	45
UB820	45
UB830	45

Parallel gripper with square guide

Product information page ...	46.1
GP224	48
GP224S	48
GP240	49
GP240S	49
GP260	50
GP260S	50
GP280	51
GP280S	51

Parallel gripper with sealed round guide and adjustable stroke

Product information page ...	52.1
GP1224N	54
GP1224NC	54
GP1224NO	54
GP1240N	55
GP1240NC	55
GP1240NO	55
GP1260N	56
GP1260NC	56
GP1260NO	56
GP1280N	57
GP1280NC	57
GP1280NO	57
Universal jaws	
UB1224	58
UB1240	58
UB1260	58
UB1280	58

Parallel gripper with roller slide

Product information page ...	58.1
GP12	60
GP19	61
GP30	62
GP45	63
GP45S	63
GP75	64
GP75S	64
GP100	65
GP100S	65
Universal jaws	
UB12	66
UB19	66
UB30	66
UB45	66
UB75	66
UB100	66

Parallel gripper with bearing guide

Product information page ...	66.1
GP103	68

GP104	69
GP105	70
GP110	71
GP115	72
Universal jaws	
UB103	73
UB104	73
UB105	73
UB110P	73
UB115	73

Parallel gripper with eccentric cam

Product information about ...	74.1
GP78	76
GP80	77
GP88	78

Parallel gripper with sealed and rust resistant guide

Product information page...	78.1
GP206N	80
GP210N	81

Parallel gripper with center thru hole

Product information page ...	82
GP325	84

Parallel gripper with curved cam

Product information page ...	85
GP500	86
GP500S	86

Long stroke gripper with T-slot guide

Product information page ...	86.1
GH6040	88
GH6060	88
GH6080	88
GH6140	89
GH6160	89
GH6180	89
GH6240	90
GH6260	90
GH6280	90
GH62100	90
GH6460	91
GH64100	91
GH64150	91
GH64200	91

Long-stroke gripper with sealed round guide

Product information page ...	92.1
GH5230	94
GH5260	94

Long-stroke gripper with round guide

Product information page...	94.1
GH90	96
GH100	97
GH150	97
GH200	97
Universal jaws	
UB90	98

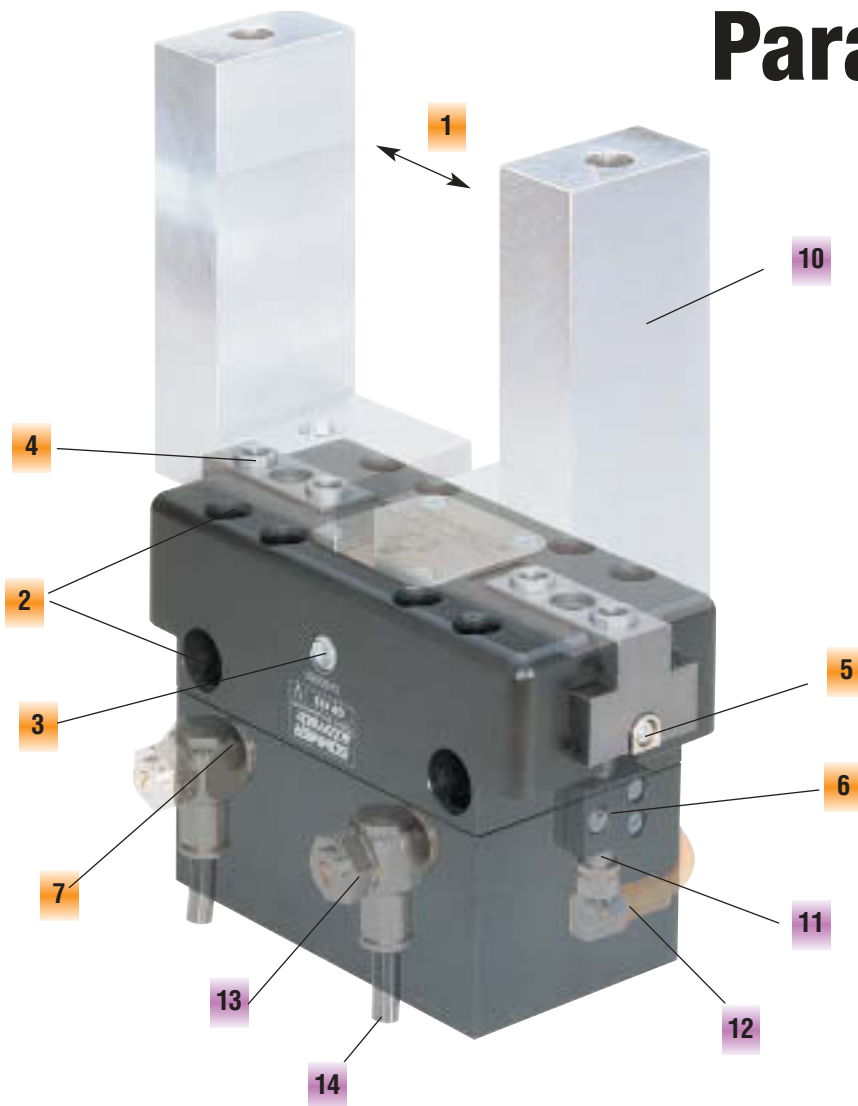
Long-stroke gripper with linear guide

Product information page...	98.1
GH7665	100
GH76100	100

Parallel gripper with flat guide

Product information page...	100.1
SGP14N	100.2
SGP14NC	100.2
SGP25N	100.3
SGP25NC	100.3
SGP35N	100.4
SGP35NC	100.4

Parallel gripper with T-slot guide



Features

- 1 Stroke
- 2 Hole for socket head screw
- 3 Lubricating nipple for mechanism
- 4 Removable centering sleeves
- 5 Spring-loaded trip dogs
- 6 Sensor mount
- 7 Air connection at the front (alternatively on the back and bottom)

Accessories

- 10 Universal Jaws
- 11 Proximity Switch
- 12 Cable for proximity switch
- 13 Pneumatic fittings
- 14 Pneumatic hose

Explanations

The following abbreviations mean:

Opening / closing by spring:

- NO** = Standard design, self-locking, spring opening (long stroke, standard force)
- NC** = Standard design, self-locking, spring closing (long stroke, standard force)
- SC** = Heavy-duty design, self-locking, spring closing (short stroke, large force)
- SO** = Heavy-duty design, self-locking, spring opening (short stroke, large force)

Without spring:

- N** = Standard design, (long stroke, standard force)
- S** = Heavy-duty design, (short stroke, large force)

Hydraulic Version:

- NH** = Standard design, hydraulic up to 40 bar (long stroke, large force)

The final tests ...

...have long been aced, and in several circles, declared the winner: The T-slot guide, good old traditional engineering. Rugged and dependable no matter which way you look at it. All of which are made from hard-coated aluminum and have hardened and ground T-slot steel jaws.

We offer the sizes GP406 to GP430 in up to 7 different models - with springs (for self-locking, opening and closing) and without. Except for the three smallest sizes, the standard version (without spring, large stroke, small force) is available as a hydraulic model with 30 bar operating pressure. All grippers are also available temperature-resistant up to 150°C.

All grippers are maintenance-free up to 1.5 million cycles, after which they can be regreased at the lubricating nipple between the jaws. If oil-free air is used, we recommend lubricating the cylinder with Renolit. Several attachment holes allow for added mounting convenience.

The centering sleeves on the jaws ensure a precise mounting of the tooling fingers, which is important if they are changed often. In this case, we can also supply universal jaws made of steel

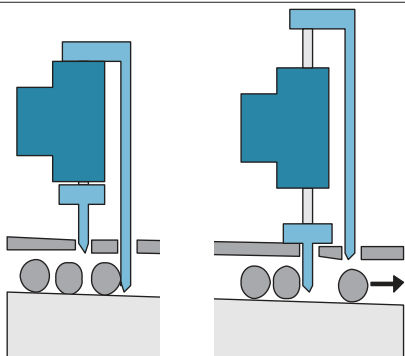
and aluminum. For more details, see accessories on page 17. The pneumatic ports for opening and closing are located on the front, back and bottom. At the bottom, the ports are closed with grub screws and can be used for tubeless connections.

For part-sensing, we have something very special, indeed: Under the jaws, there are spring-actuated trip dogs, which can be adjusted precisely and infinitely with a screw. The setting can be fixed with the grub screws located on the side of the jaws. Sensor mounts are located beneath the trip dogs, allowing optimum mounting of a proximity switch.

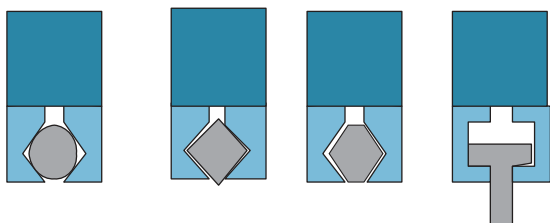
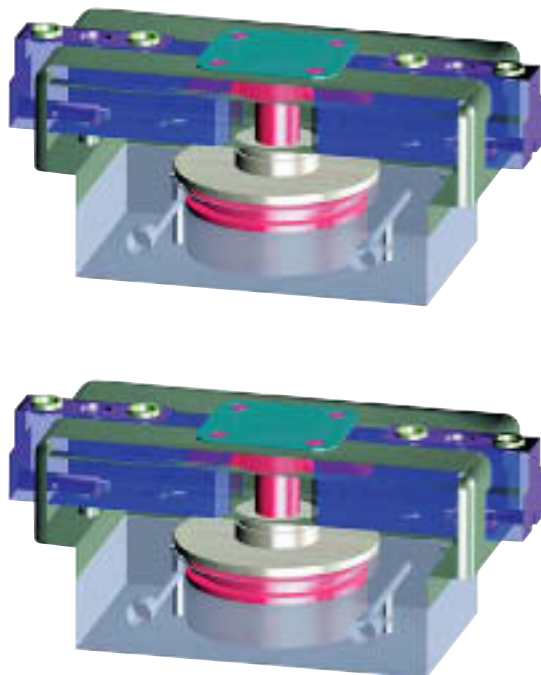
Note:

If the gripper is used as a single-acting device, the unused port must be vented or an air filter must be installed to prevent a vacuum in the piston chamber from hindering operation.

Application Ideas

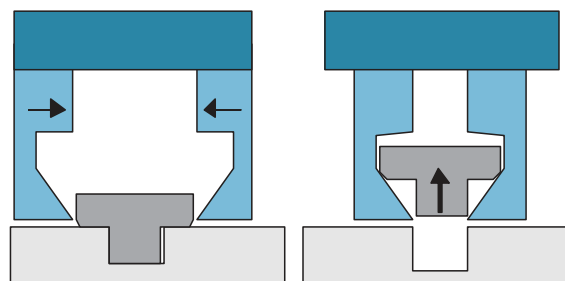


Parallel grippers can be used for separating parts.
 A Gripper closing - all the balls are retained
 B Gripper opening - one ball is released, the others are retained.
 (Also see our separator).



Different profiles may be gripped using prism-shaped jaws (larger holding force).

Operation



The 45P slope of the jaws allows the part to be lifted out of the hole when the gripper closes. This eliminates the need for a retraction mechanism even with the parallel grippers.

A double-acting pneumatic cylinder drives a slide (red). The guided T-slot jaws (blue) are moved linearly to open and closed positions by the slope on the slide. On the "S" version, the slopes are steeper. The translation allows more force with a shorter stroke. In the NC and SC models, a compression spring is installed at the top of the piston chamber, which can be used for self-locking and boosting power during closing or for single-acting operation. Conversely, the NO and SO models have a spring, which supports opening, installed at the bottom of the piston chamber.

Schematic...

On every product page, you will find the following schematic which helps describe the max allowable forces and movements for that particular model.

